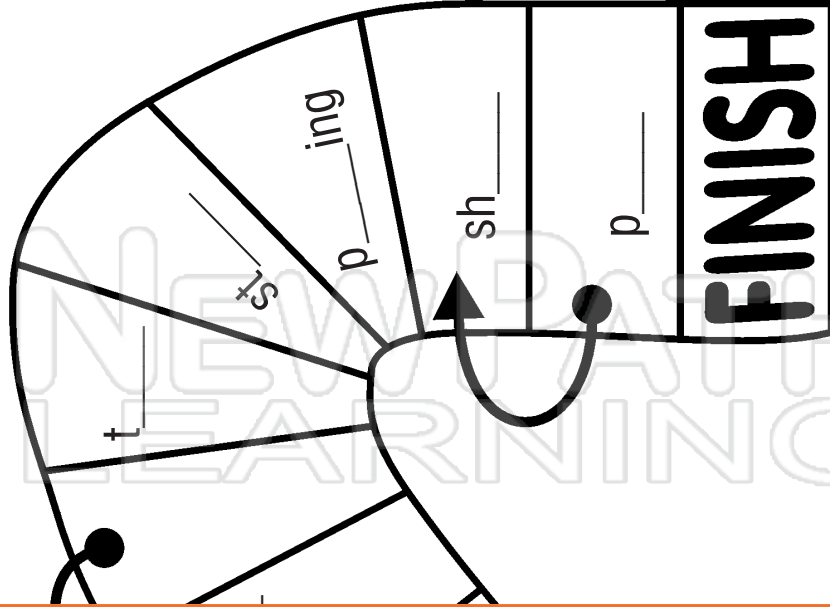




Name _____ Class _____ Date _____

loud. (Optional - put the word in a sentence.) Follow any arrows to help you and go back 2 spaces.



PREVIEW

Please [Sign In](#) or [Sign Up](#) to download the printable version of this worksheet

“ack”

Roll the dice. Add “ack” in the sentence. (Optional - put the word in a sentence.) Follow any arrows to help you and go back 2 spaces.

