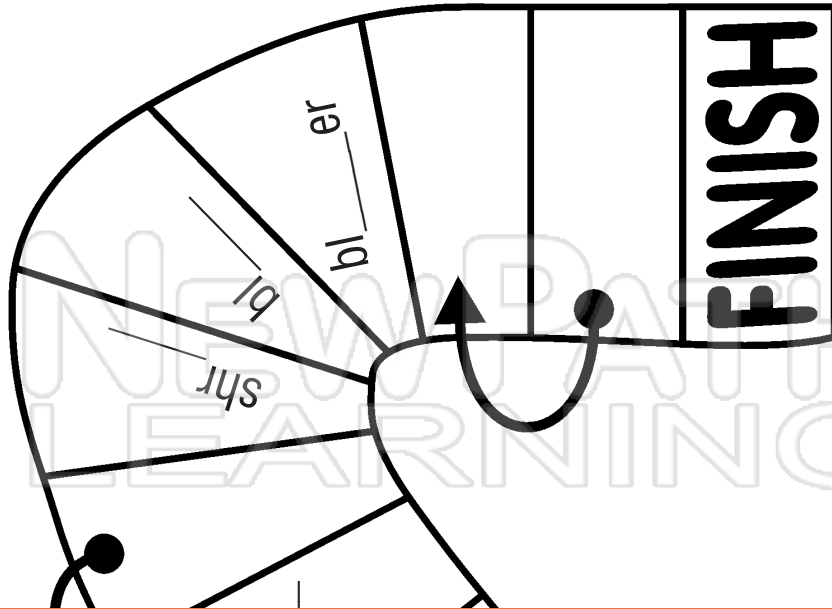




Name _____ Class _____ Date _____

loud. (Optional - put the word in a sentence to help you and go back 2 spaces.



PREVIEW

Please [Sign In](#) or [Sign Up](#) to download the printable version of this worksheet

“ink”
Roll the dice. Add “ink” in the sentence. Follow any arrows

