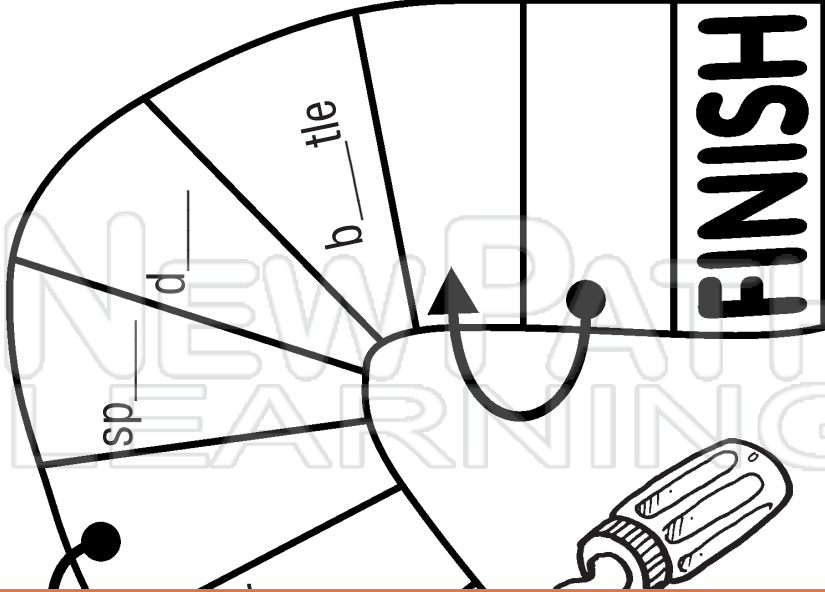




Name _____ Class _____ Date _____

oud. (Optional - put the word in a
o help you and go back 2 spaces.



PREVIEW

Please [Sign In](#) or [Sign Up](#) to download
the printable version of this worksheet

“ot”
Roll the dice. Add “ot” in the
sentence.) Follow any arrows

