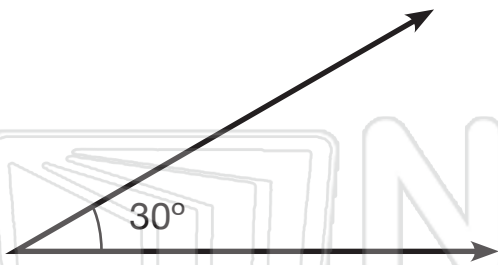


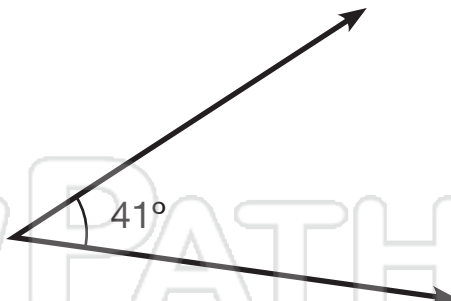


Name _____ Class _____ Date _____

Complementary angles are adjacent angles that add up to 90° . Find the complement to each of these angles.



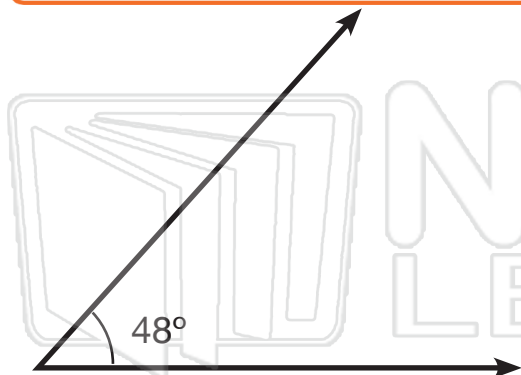
complementary angle = _____



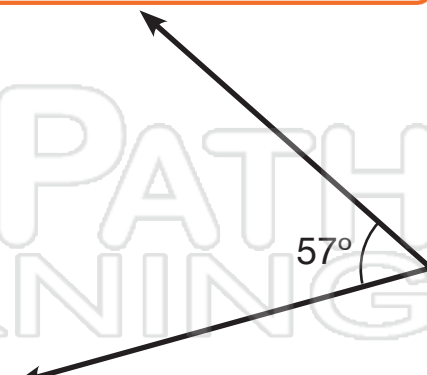
complementary angle = _____

PREVIEW

Please [Sign In](#) or [Sign Up](#) to download the printable version of this worksheet



complementary angle = _____



complementary angle = _____



Name _____ Class _____ Date _____

Complementary angles are adjacent angles that add up to 90° . Find the complement to each of these angles.

complementary angle = _____ complementary angle = _____

PREVIEW

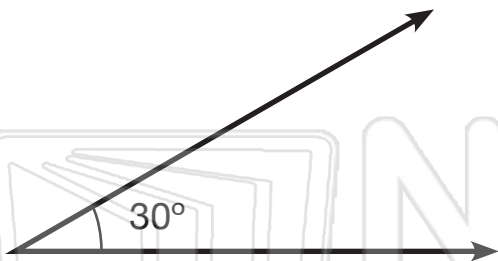
Please [Sign In](#) or [Sign Up](#) to download the printable version of this worksheet

complementary angle = _____ complementary angle = _____

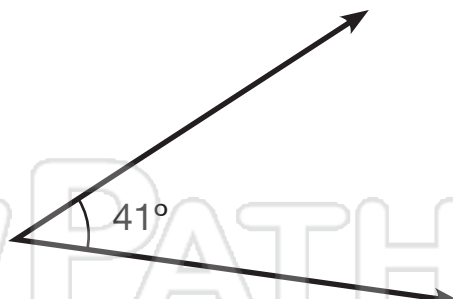


Name _____ Class _____ Date _____

Complementary angles are adjacent angles that add up to 90° . Find the complement to each of these angles.



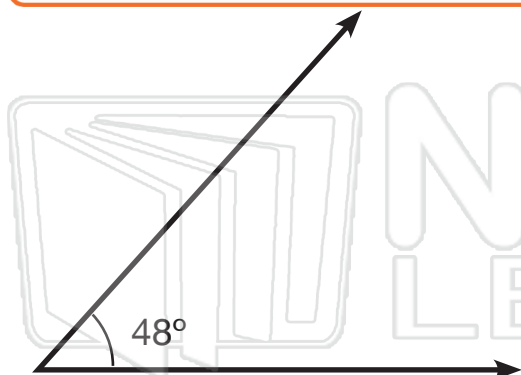
complementary angle = 60°



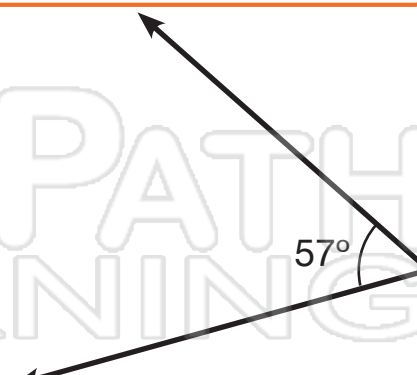
complementary angle = 49°

PREVIEW

Please [Sign In](#) or [Sign Up](#) to download the printable version of this worksheet



complementary angle = 42°



complementary angle = 33°



Name _____ Class _____ Date _____

Complementary angles are adjacent angles that add up to 90° . Find the complement to each of these angles.

28°
complementary angle = 62°

39°
complementary angle = 51°

PREVIEW

Please [Sign In](#) or [Sign Up](#) to download the printable version of this worksheet

45°
complementary angle = 45°

80°
complementary angle = 10°