



Name _____ Class _____ Date _____

Supplementary angles are adjacent angles that add up to 180° . Find the supplement to each of these angles.



supplementary angle = _____



supplementary angle = _____

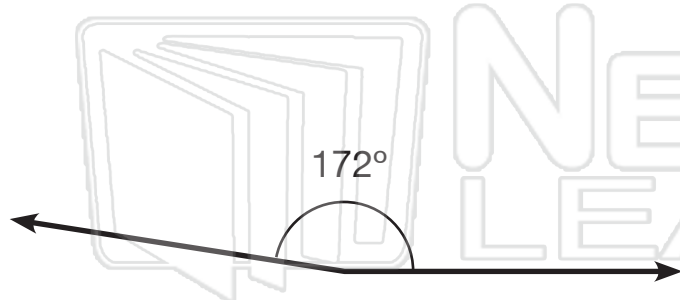
sup

PREVIEW

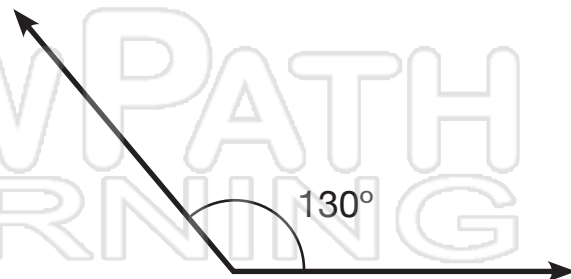
Please [Sign In](#) or [Sign Up](#) to download the printable version of this worksheet

supplementary angle = _____

supplementary angle = _____



supplementary angle = _____

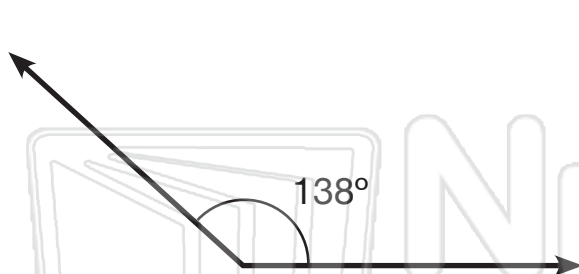


supplementary angle = _____

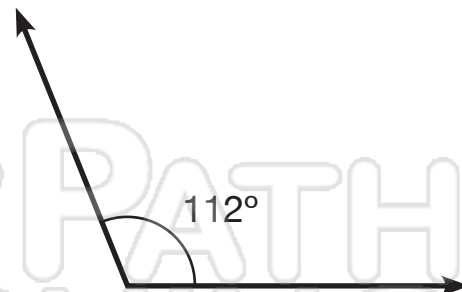


Name _____ Class _____ Date _____

Supplementary angles are adjacent angles that add up to 180° . Find the supplement to each of these angles.



supplementary angle = _____



supplementary angle = _____

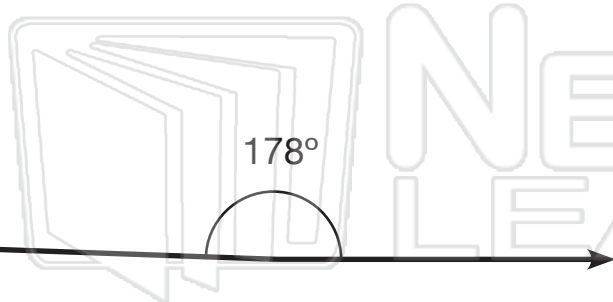
sup

PREVIEW

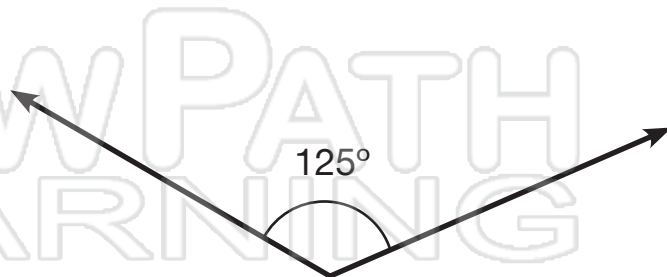
Please [Sign In](#) or [Sign Up](#) to download the printable version of this worksheet

supplementary angle = _____

supplementary angle = _____



supplementary angle = _____



supplementary angle = _____



Name _____ Class _____ Date _____

Supplementary angles are adjacent angles that add up to 180° . Find the supplement to each of these angles.



supplementary angle = 65°

supplementary angle = 73°

sup

PREVIEW

Please [Sign In](#) or [Sign Up](#) to download the printable version of this worksheet

supplementary angle = 52°

supplementary angle = 35°



supplementary angle = 8°

supplementary angle = 50°



Name _____ Class _____ Date _____

Supplementary angles are adjacent angles that add up to 180° . Find the supplement to each of these angles.

supplementary angle = 42° supplementary angle = 68°

sup

PREVIEW

Please [Sign In](#) or [Sign Up](#) to download the printable version of this worksheet

supplementary angle = 75° supplementary angle = 49°

supplementary angle = 2° supplementary angle = 55°