



Living & Non-living Things

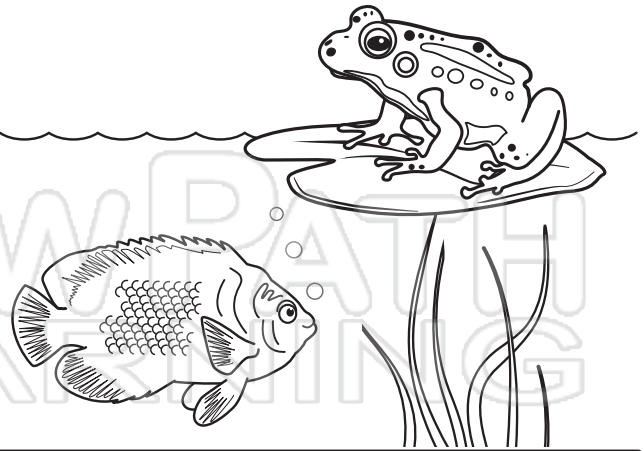
Sci
A

Name _____ Class _____ Date _____

Living things take up space.



Living things breathe.



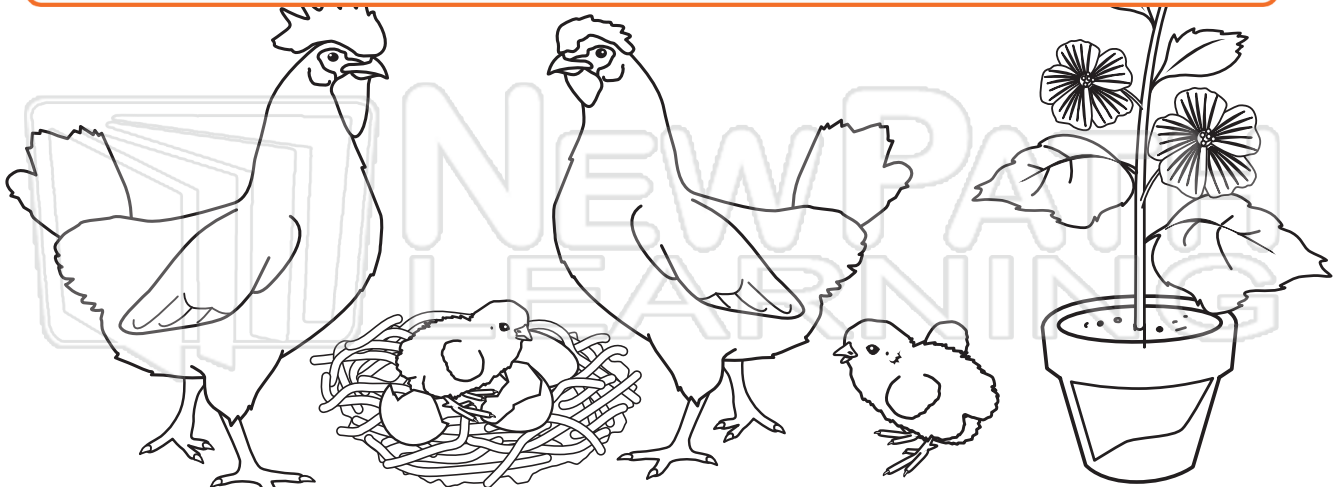
Living things eat.

Living things



PREVIEW

Please [Sign In](#) or [Sign Up](#) to download the printable version of this worksheet



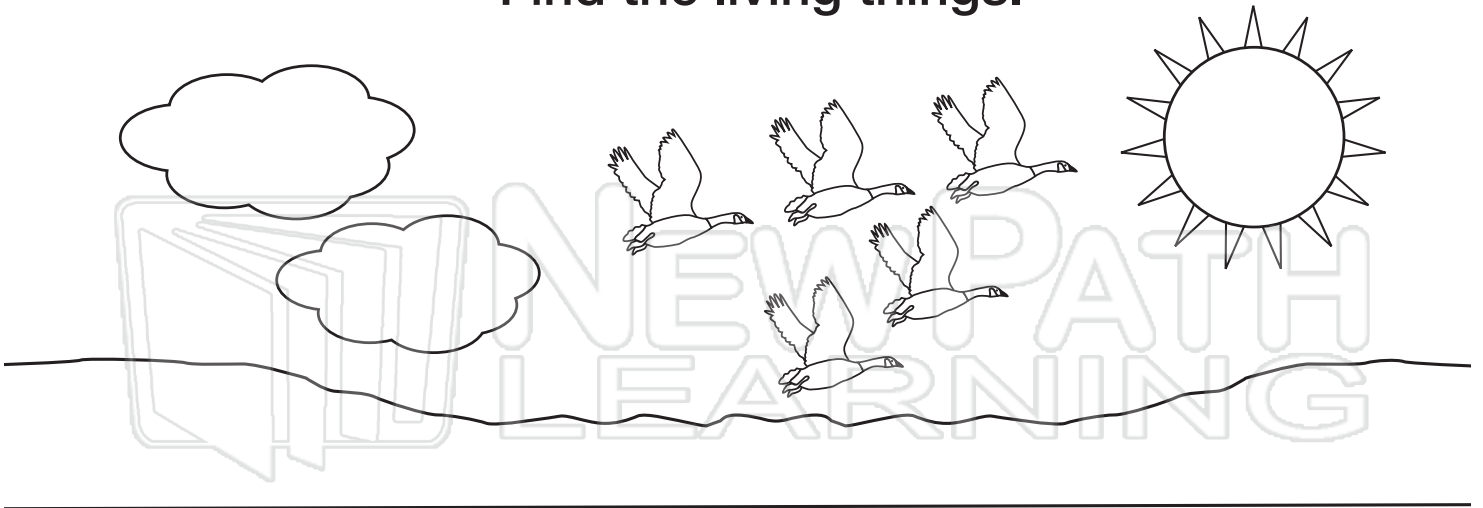


Living & Non-living Things

Sci
A

Name _____ Class _____ Date _____

Find the living things.



PREVIEW

Please [Sign In](#) or [Sign Up](#) to download the printable version of this worksheet

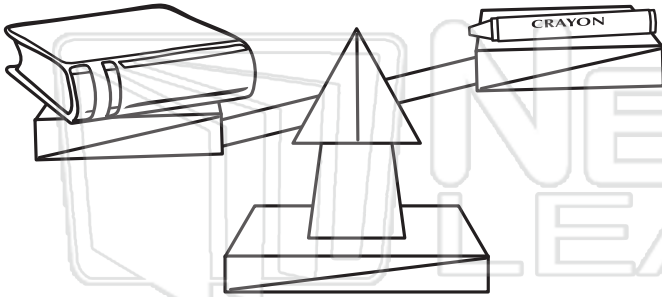




Living & Non-living Things

Name _____ Class _____ Date _____

Non-living things take up space and have weight.



Non-living things do not breathe.

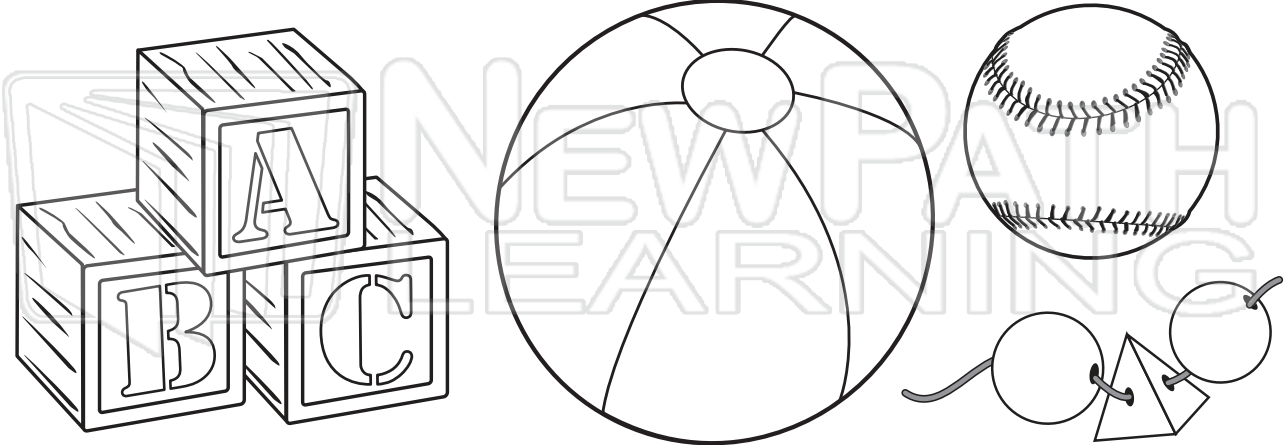


Non-living things don't
e

Non-living things can

PREVIEW

Please [Sign In](#) or [Sign Up](#) to download the printable version of this worksheet



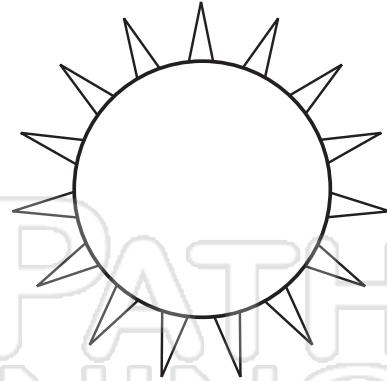


Living & Non-living Things

Sci
A

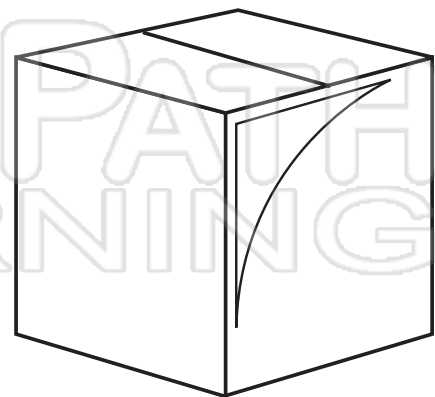
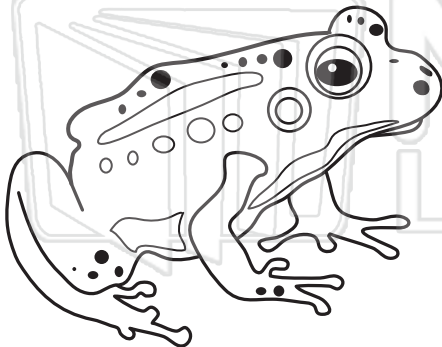
Name _____ Class _____ Date _____

Circle the non-living things.



PREVIEW

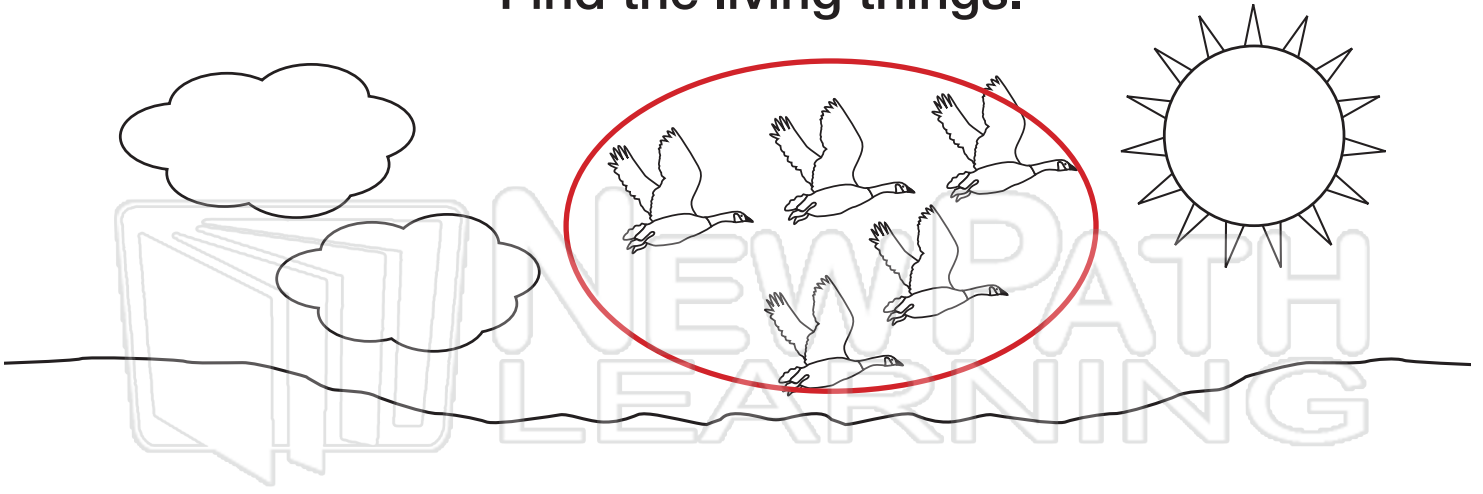
Please [Sign In](#) or [Sign Up](#) to download the printable version of this worksheet





Answer Key

Find the living things.



PREVIEW

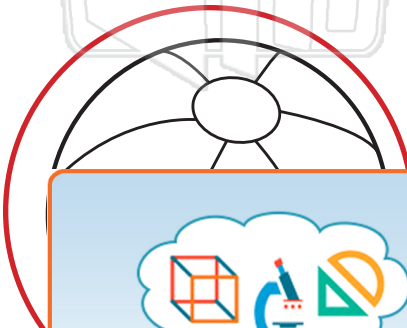
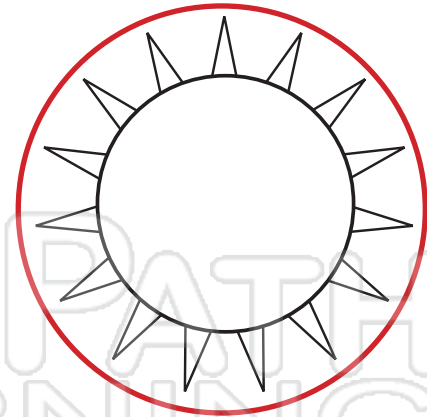
Please [Sign In](#) or [Sign Up](#) to download the printable version of this worksheet





Answer Key

Circle the non-living things.



PREVIEW

Please [Sign In](#) or [Sign Up](#) to download the printable version of this worksheet

