

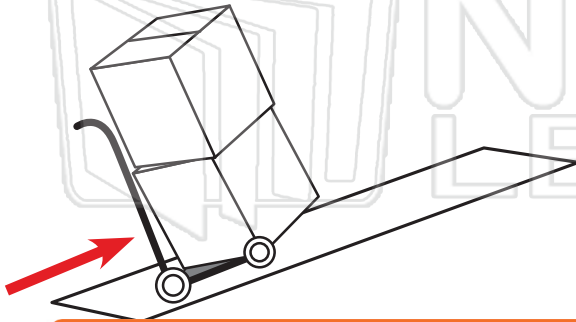


Name _____ Class _____ Date _____

Work = force used on an object causing the object **to move**

Simple machines make doing work easier but they never decrease the amount of work that needs to be done. There are many different kinds of simple machines.

Inclined Plane



Wheel & Axle



A plan
object

or



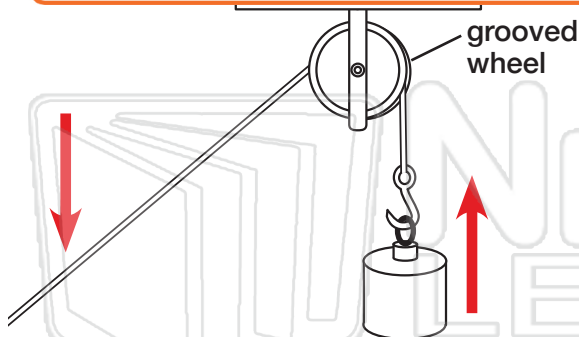
incline
plane,

An in
mainl

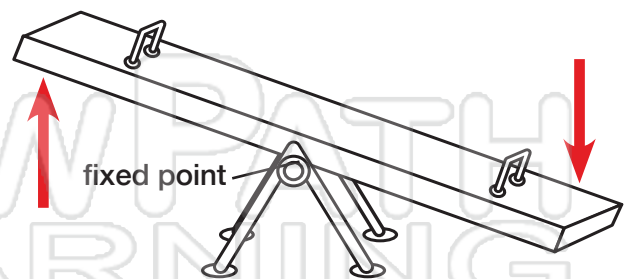
often

PREVIEW

Please [Sign In](#) or [Sign Up](#) to download the printable version of this worksheet



Made up of a wheel with a grooved rim in which a rope can move around in order to help lift a load.



A bar which rests and moves on a fixed point, used to raise an object on the other side.

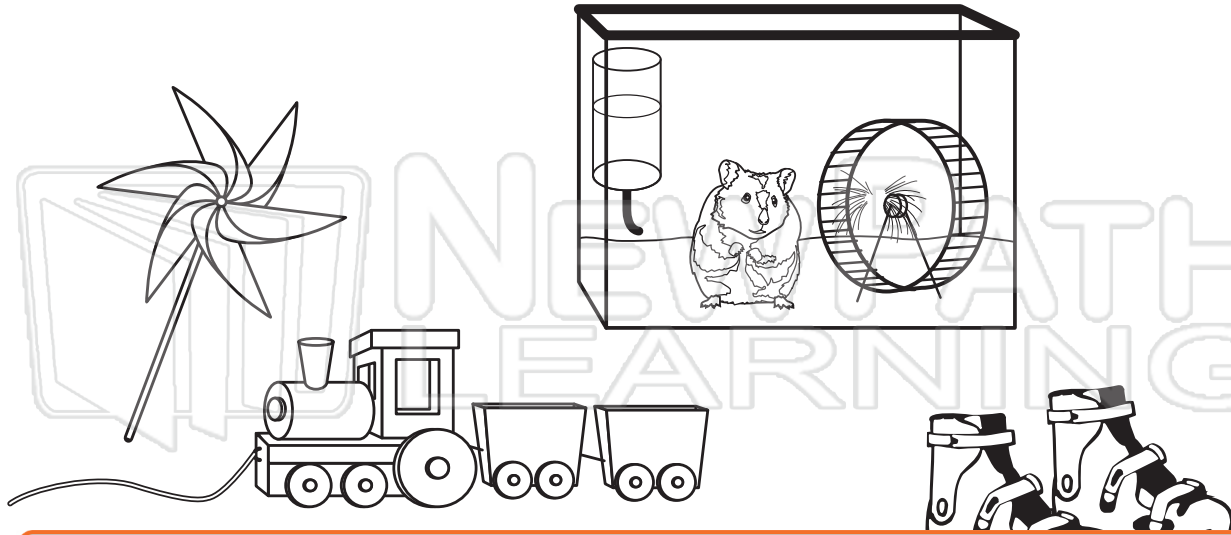


Work & Machines

Sci
C

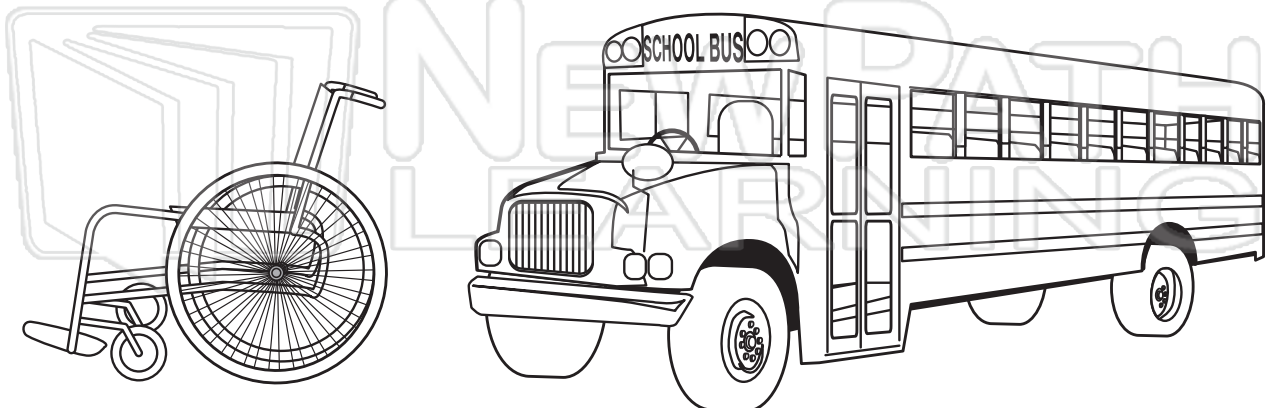
Name _____ Class _____ Date _____

A **wheel & axle** can do many things! How many wheels do you see?



PREVIEW

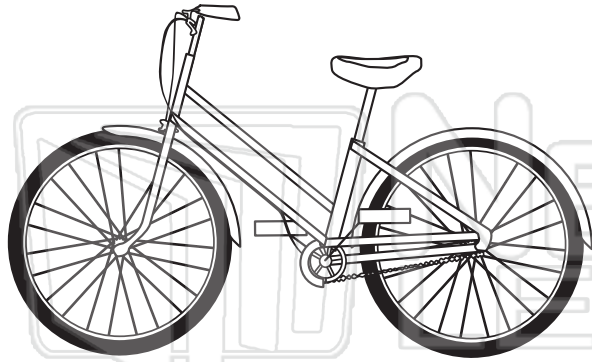
Please [Sign In](#) or [Sign Up](#) to download the printable version of this worksheet



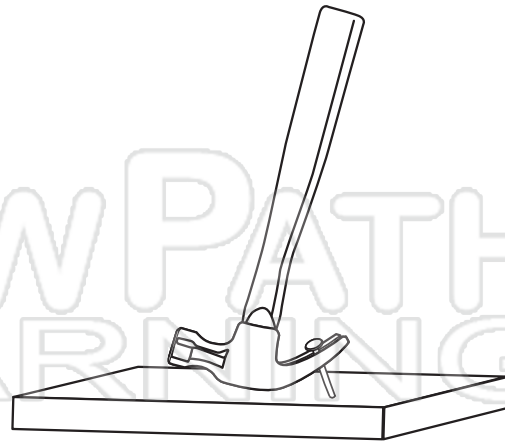


Name _____ Class _____ Date _____

Circle the name of the **simple machine** being used.



pulley wheel & axle

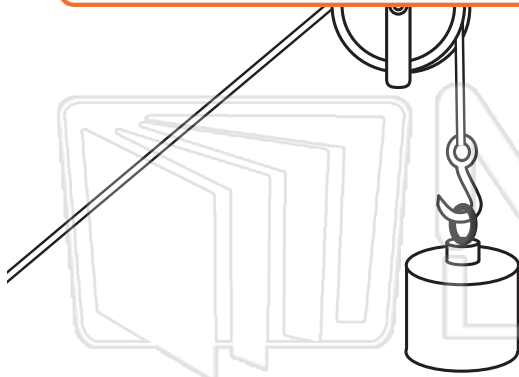


wheel & axle lever

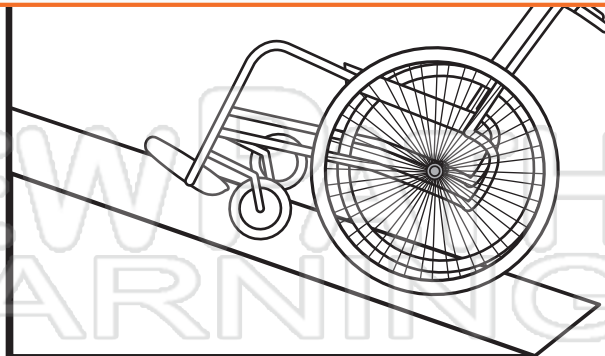


PREVIEW

Please [Sign In](#) or [Sign Up](#) to download the printable version of this worksheet



lever pulley



lever inclined plane



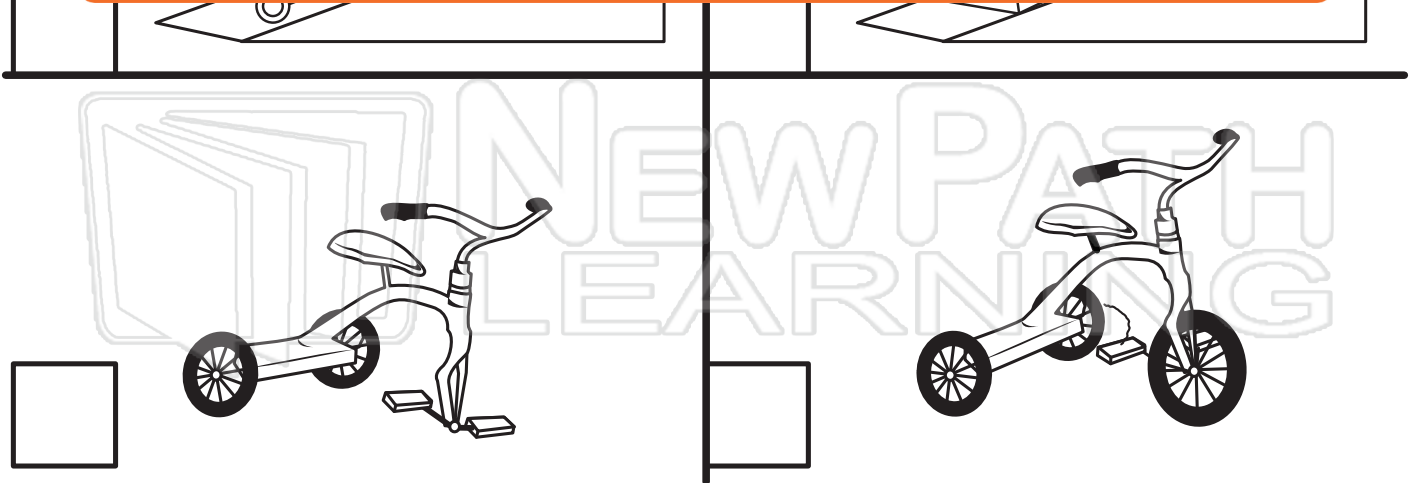
Name _____ Class _____ Date _____

Which tool makes **moving** objects **easier**? Check the box.



PREVIEW

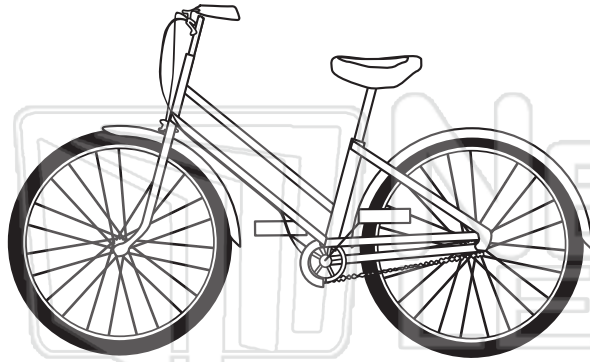
Please [Sign In](#) or [Sign Up](#) to download the printable version of this worksheet





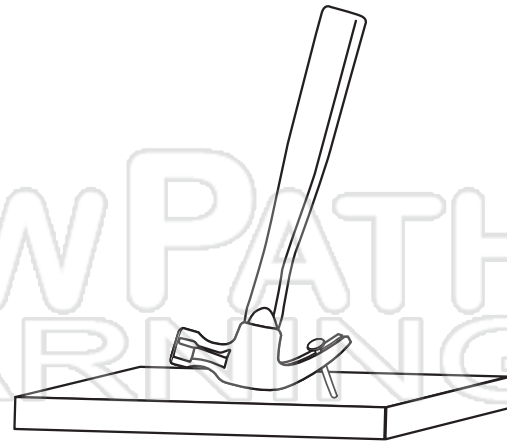
Answer Key

Circle the name of the **simple machine** being used.



pulley

wheel & axle



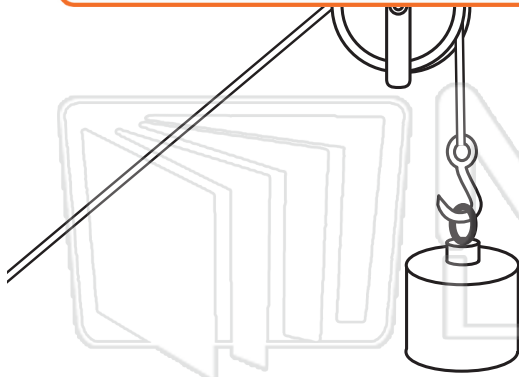
wheel & axle

lever



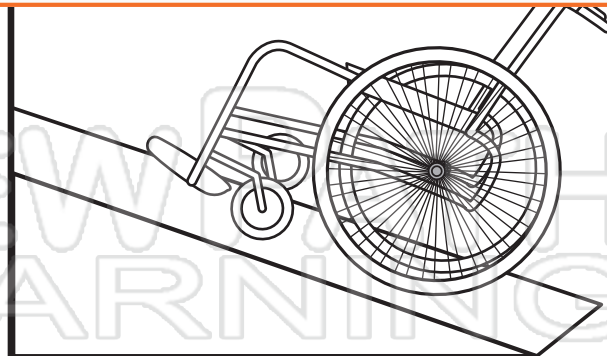
PREVIEW

Please [Sign In](#) or [Sign Up](#) to download the printable version of this worksheet



lever

pulley



lever

inclined plane



Answer Key

Which tool makes **moving** objects **easier**? Check the box.



NEW PATH LEARNING

PREVIEW

Please [Sign In](#) or [Sign Up](#) to download the printable version of this worksheet

