



Force, Motion & Energy

Sci
D

Name _____ Class _____ Date _____

Motion is the process of an object changing place or position. **Speed** refers to the **rate** an object changes position.

Force is a **push or pull** upon an object. Forces can **change** the position and motion of an object.

Gravity is an **attractive force** that tries to pull objects together. **Gravity** depends on the **mass** of the objects and the **distance** between them.



Gravity keeps the Moon in orbit around Earth.



Energy is the ability to do **work** and comes in many different forms.

Poten

Kinet
is the
of mo



ertain

PREVIEW

Please [Sign In](#) or [Sign Up](#) to download the printable version of this worksheet

Elect

electrical charges. Electrical charges moving through wires is called **electricity**.

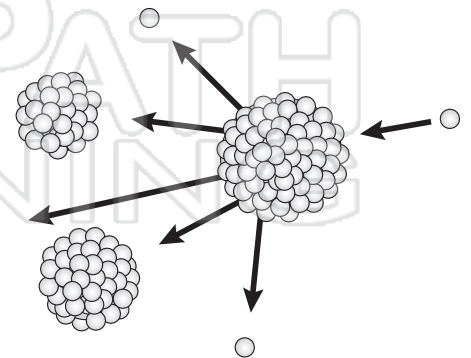
Conduction is the **transfer** of heat energy between objects.



Light and **sound** energy are forms of energy that travel in waves.



Nuclear energy is energy stored in the **nucleus** of an atom and that holds the nucleus together.





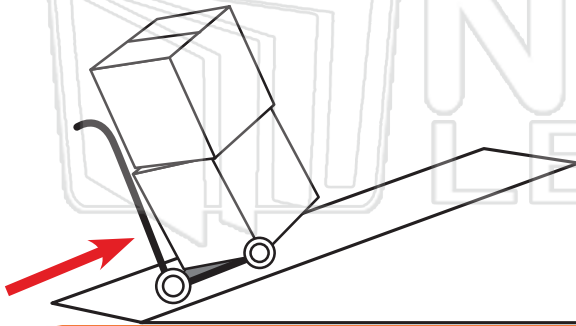
Force, Motion & Energy

Sci
D

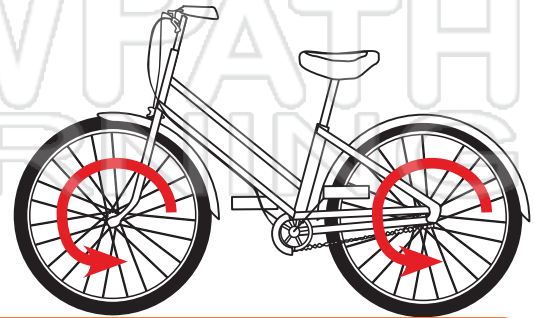
Name _____ Class _____ Date _____

Work is the ability to **move an object**. An object must move in order for work to have been done. **Simple machines** make doing work **easier** but they never decrease the amount of work that needs to be done. There are many different kinds of simple machines.

Inclined Plane



Wheel & Axle



A plan
objec

or



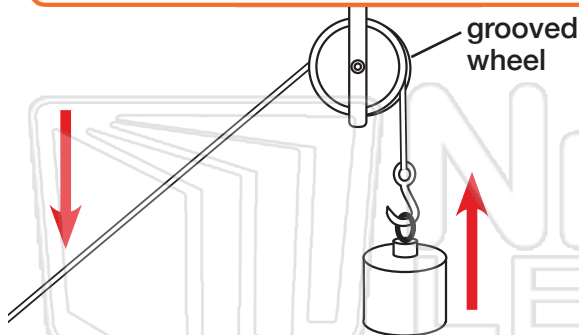
incline
plane,

An in
mainl

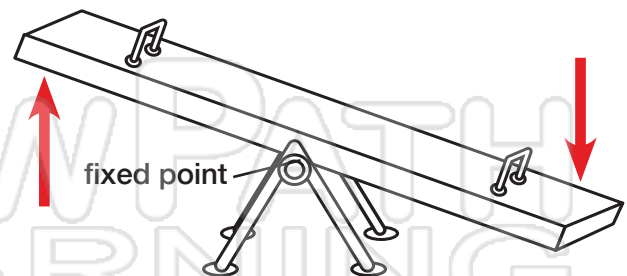
often

PREVIEW

Please [Sign In](#) or [Sign Up](#) to download the printable version of this worksheet



Made up of a wheel with a grooved rim in which a rope can move around in order to help lift a load.



A bar which rests and moves on a fixed point, used to raise an object on the other side.

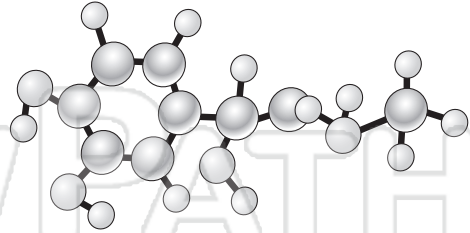
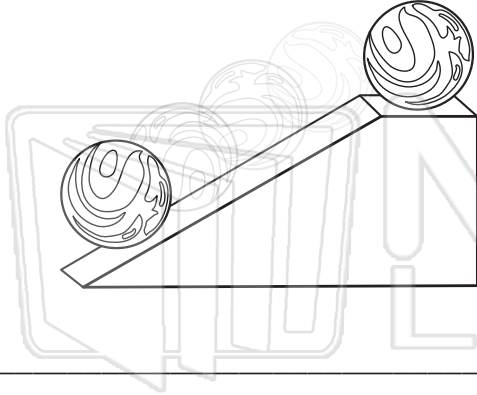


Force, Motion & Energy

Sci
D

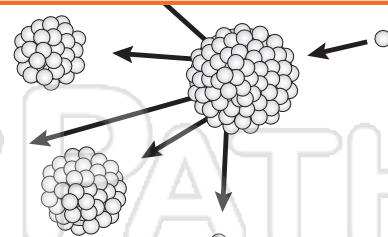
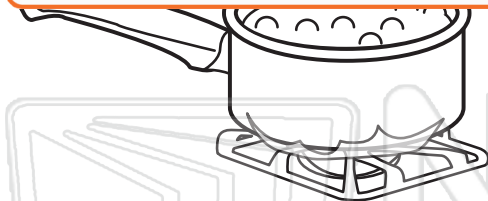
Name _____ Class _____ Date _____

Energy is the ability to do **work** and comes in many different forms. Identify and describe each type of energy shown below.



PREVIEW

Please [Sign In](#) or [Sign Up](#) to download the printable version of this worksheet



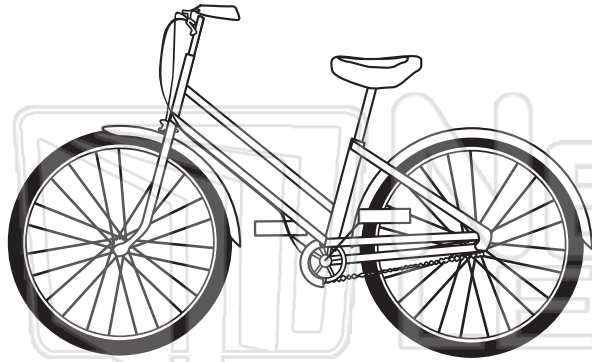


Force, Motion & Energy

Sci
D

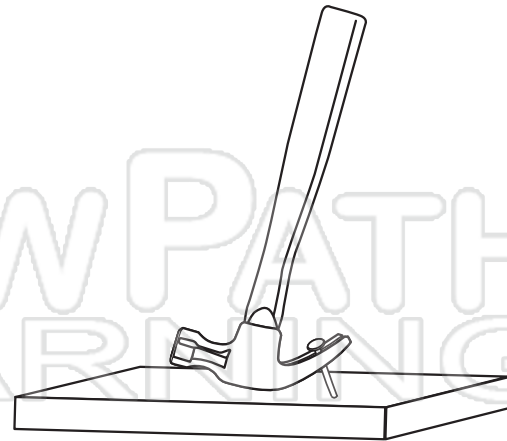
Name _____ Class _____ Date _____

Circle the name of the **simple machine** being used.



pulley

wheel & axle



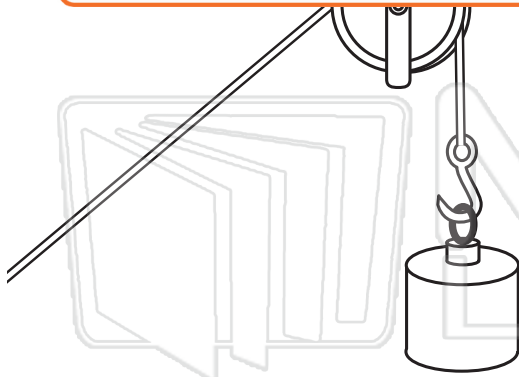
wheel & axle

lever



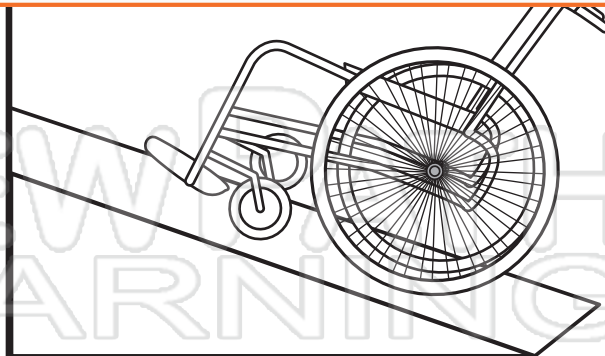
PREVIEW

Please [Sign In](#) or [Sign Up](#) to download the printable version of this worksheet



lever

pulley



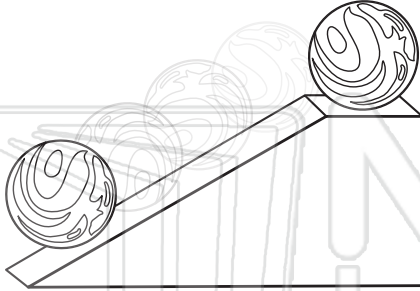
lever

inclined plane



Answer Key

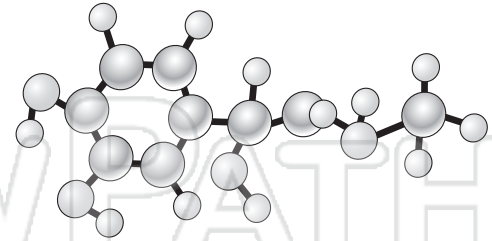
Energy is the ability to do **work** and comes in many different forms. Identify and describe each type of energy shown below.



Potential energy is stored energy.

Kinetic energy is the energy

of m



Chemical energy is energy that certain

matter has because of the way its

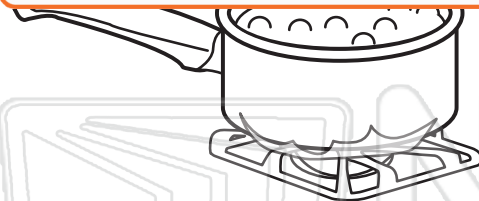


PREVIEW

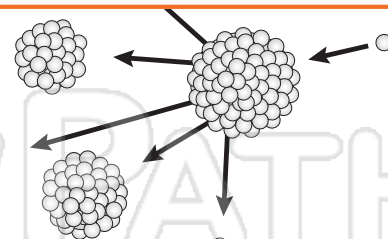
Please [Sign In](#) or [Sign Up](#) to download the printable version of this worksheet

Elec
elect
char

of



Thermal energy is created by movement
of particles in matter. Conduction is the
transfer of heat energy.

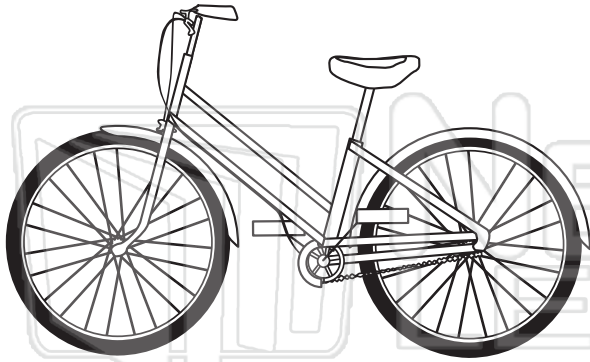


Nuclear energy is energy stored in the
nucleus of an atom and that holds the
nucleus together.



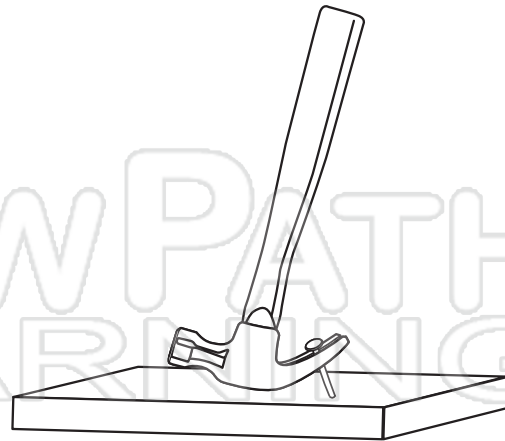
Answer Key

Circle the name of the **simple machine** being used.



pulley

wheel & axle



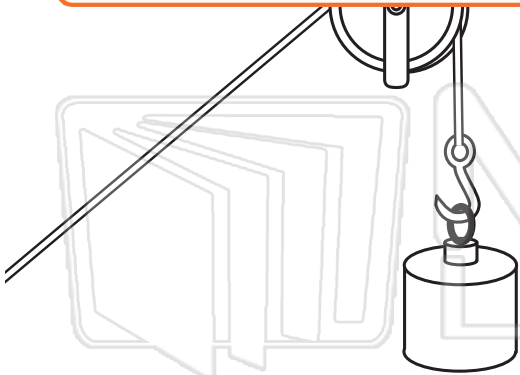
wheel & axle

lever



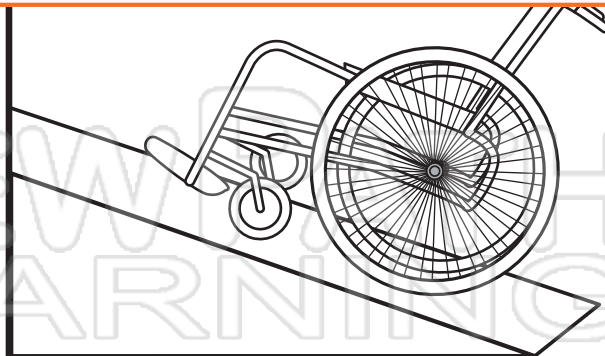
PREVIEW

Please [Sign In](#) or [Sign Up](#) to download the printable version of this worksheet



lever

pulley



lever

inclined plane