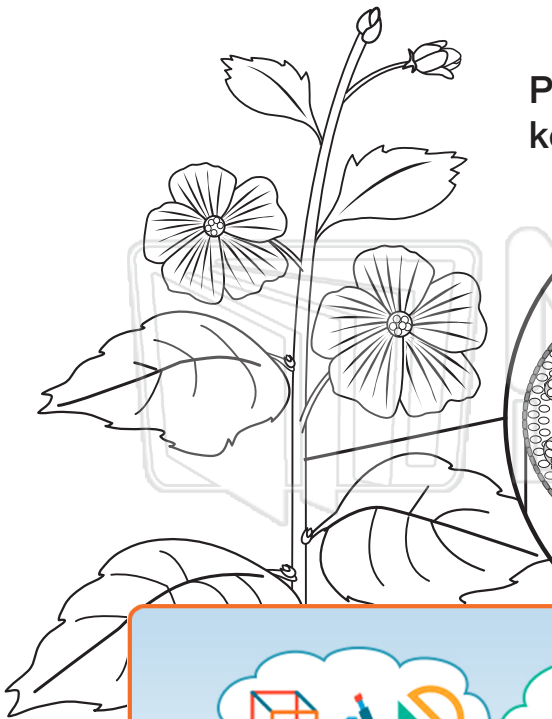


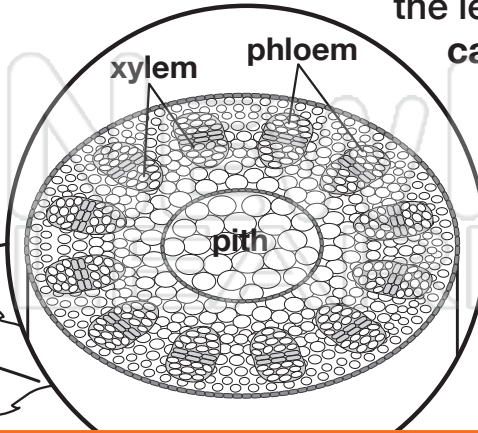


Name \_\_\_\_\_ Class \_\_\_\_\_ Date \_\_\_\_\_



## Stems

Plants structures each serve a different purpose for keeping a plant alive and healthy. Plant **stems** support the leaves and flowers, and they carry water and nutrients within the plant.



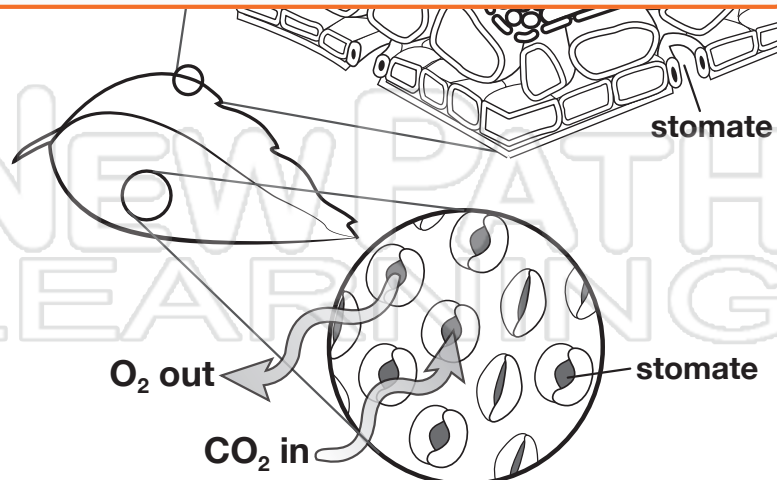
The **xylem** carries water and nutrients from the roots to the leaves. The **phloem** carries sugar away from leaves to the rest of the plant.



## PREVIEW

Please [Sign In](#) or [Sign Up](#) to download the printable version of this worksheet

A plant **leaf** has many layers. Two outer layers of tough skin cells, called the **epidermis**, provide protection for the leaf. Leaves have tiny pores called **stomates** which allow water and gases to pass in and out of the plant.

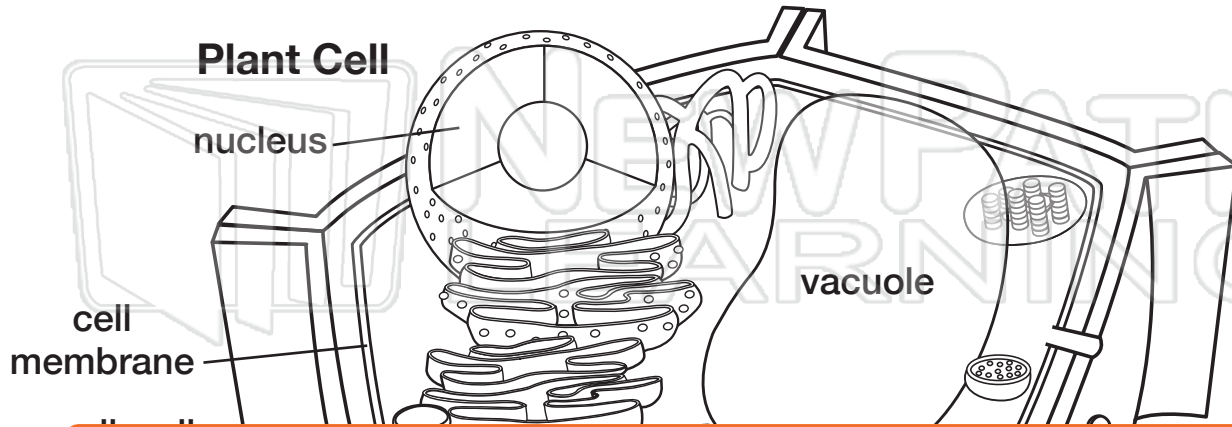




Name \_\_\_\_\_ Class \_\_\_\_\_ Date \_\_\_\_\_

## Process of Photosynthesis

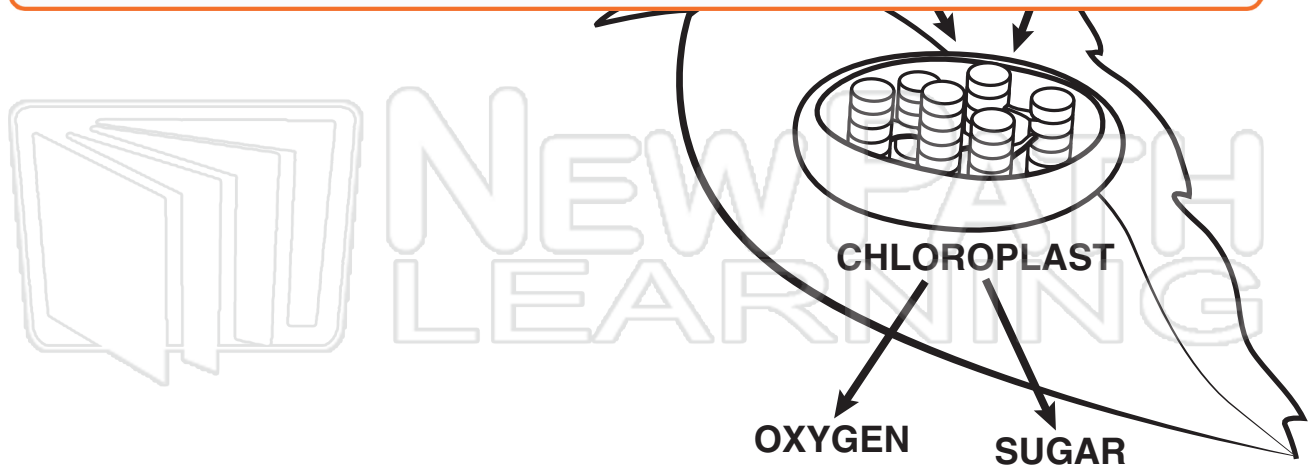
Plants make food in the form of **sugar** through the process of **photosynthesis**. **Photosynthesis** takes place in the **chloroplast** of a plant cell.



## PREVIEW

Please [Sign In](#) or [Sign Up](#) to download the printable version of this worksheet

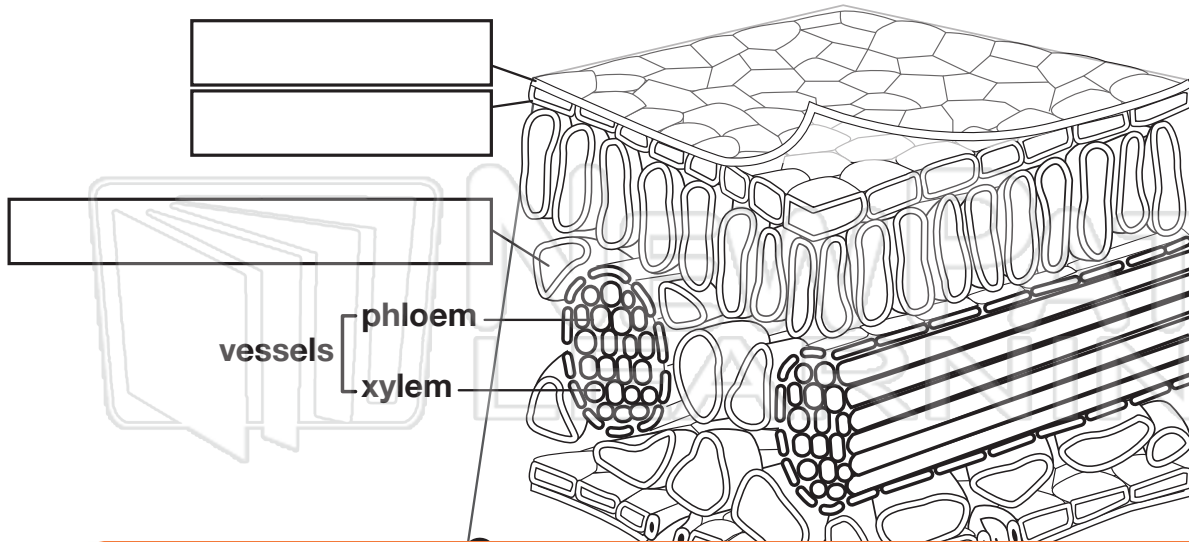
Chloroplasts capture sunlight from the environment to produce





Name \_\_\_\_\_ Class \_\_\_\_\_ Date \_\_\_\_\_

Label the leaf parts.



## PREVIEW

What \_\_\_\_\_  
\_\_\_\_\_ Please [Sign In](#) or [Sign Up](#) to download  
\_\_\_\_\_ the printable version of this worksheet

Roots and stems carry water and nutrients around the plant through vessels.  
What does xylem do?

\_\_\_\_\_

What does phloem do?

\_\_\_\_\_

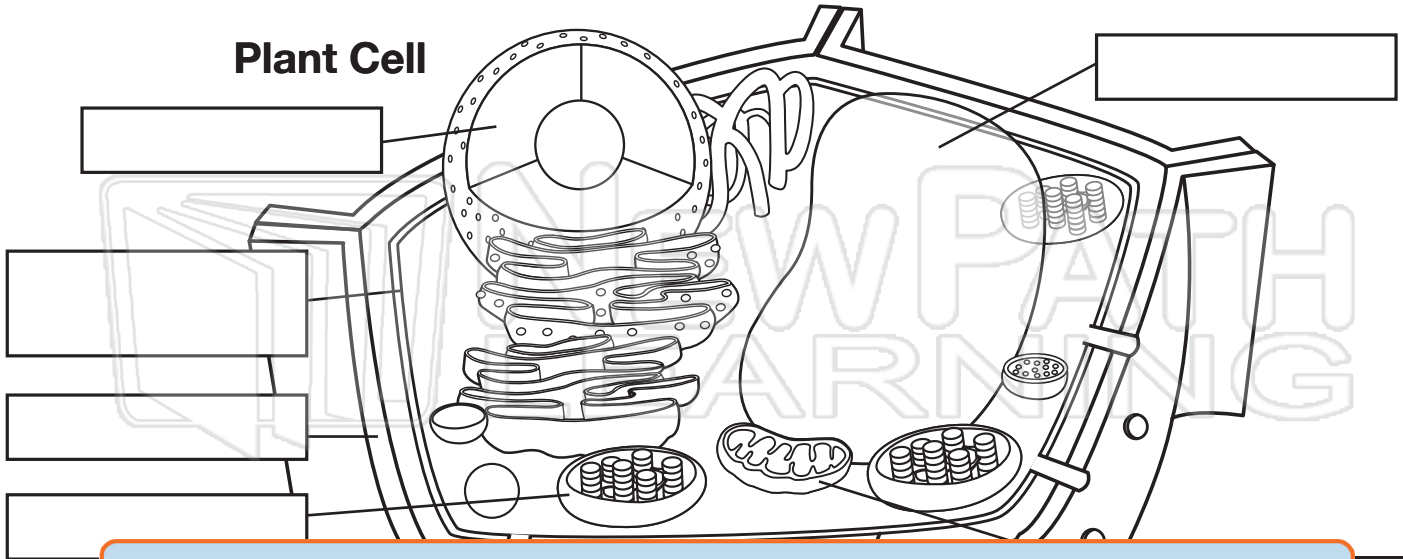


# Roots, Stems & Leaves

Sci  
E

Name \_\_\_\_\_ Class \_\_\_\_\_ Date \_\_\_\_\_

Label the plant cell.

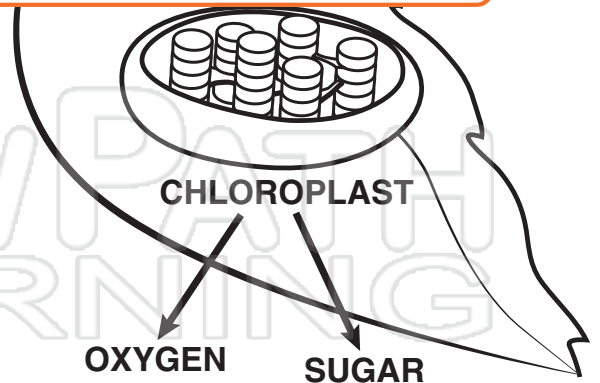


## PREVIEW

Please [Sign In](#) or [Sign Up](#) to download the printable version of this worksheet

Plant  
they

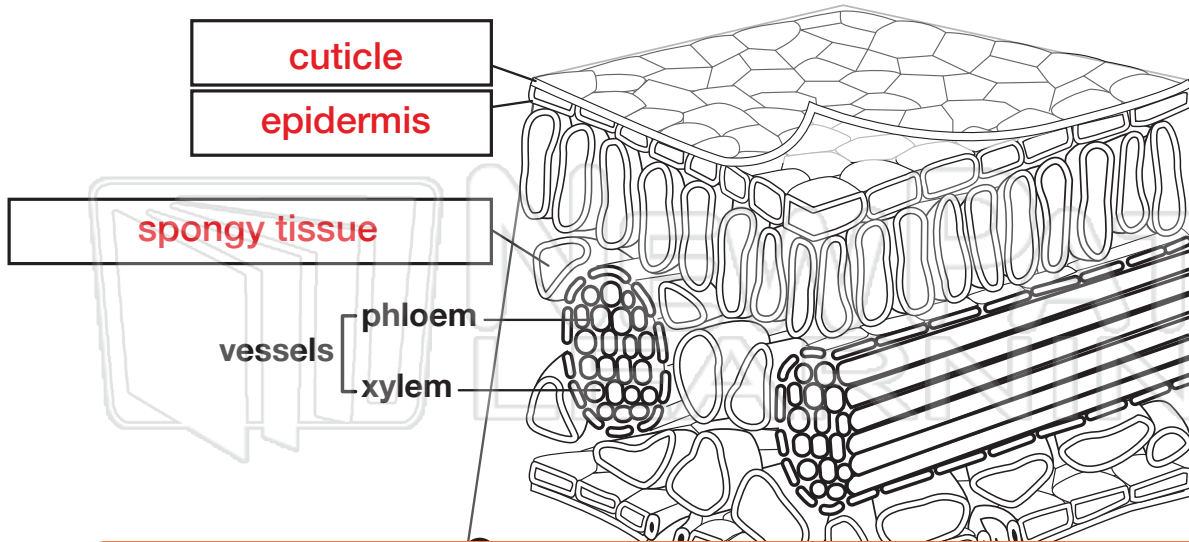
\_\_\_\_\_ they get from the  
soil, and \_\_\_\_\_ from the  
Sun to produce \_\_\_\_\_  
and \_\_\_\_\_ during the  
process of \_\_\_\_\_.





## Answer Key

Label the leaf parts.



## PREVIEW

What  
Stom  
diox

Please [Sign In](#) or [Sign Up](#) to download  
the printable version of this worksheet

s.

Roots and stems carry water and nutrients around the plant through vessels.  
What does xylem do?

**The xylem carries water and nutrients from the roots to the leaves.**

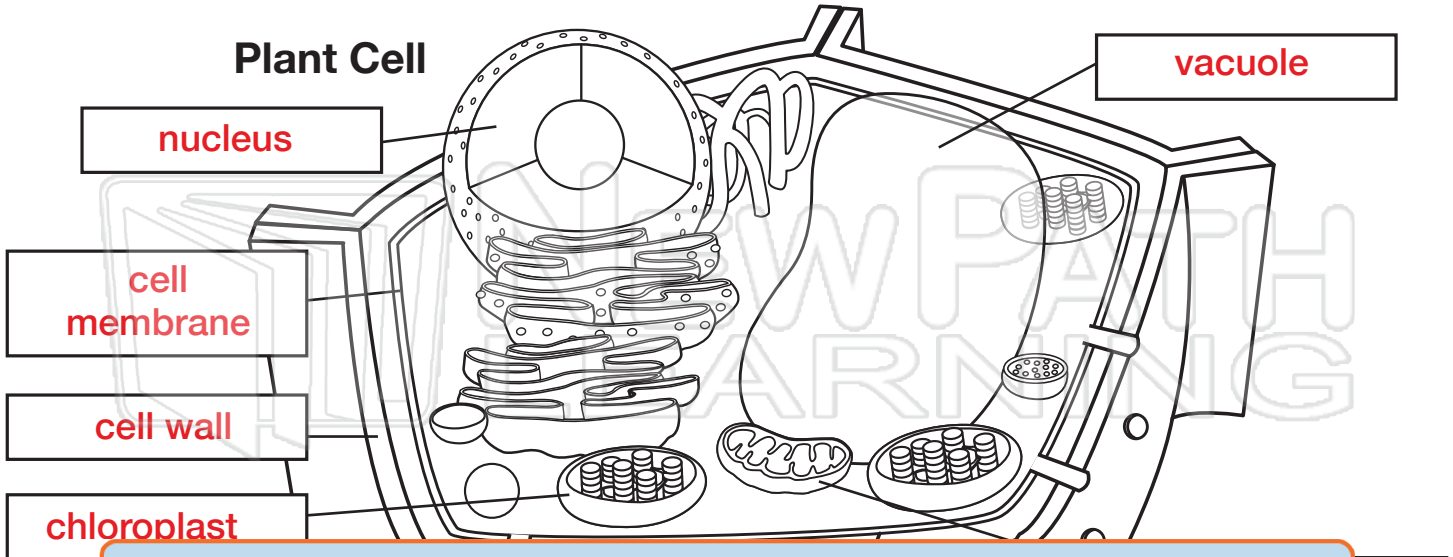
What does phloem do?

**The phloem carries sugar away from leaves to the rest of the plant. Sugar is made in the leaves during photosynthesis.**



## Answer Key

Label the plant cell.



dria

**PREVIEW**

Please [Sign In](#) or [Sign Up](#) to download the printable version of this worksheet

\_\_\_\_\_ **water** \_\_\_\_\_ they get from the soil, and \_\_\_\_\_ **energy** \_\_\_\_\_ from the Sun to produce \_\_\_\_\_ **oxygen** \_\_\_\_\_ and \_\_\_\_\_ **sugar** \_\_\_\_\_ during the process of \_\_\_\_\_ **photosynthesis** \_\_\_\_\_.

