

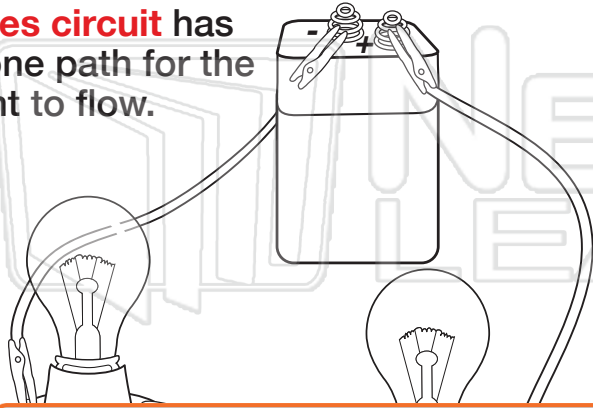


Name \_\_\_\_\_ Class \_\_\_\_\_ Date \_\_\_\_\_

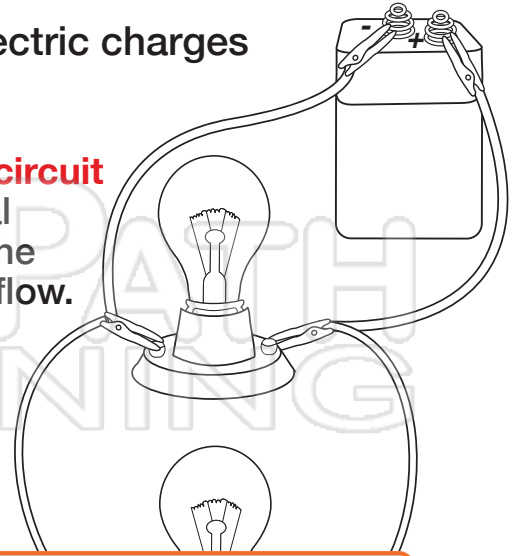
## Electricity

**Electric current** is the continuous movement of electric charges through a conductive material.

A **series circuit** has only one path for the current to flow.



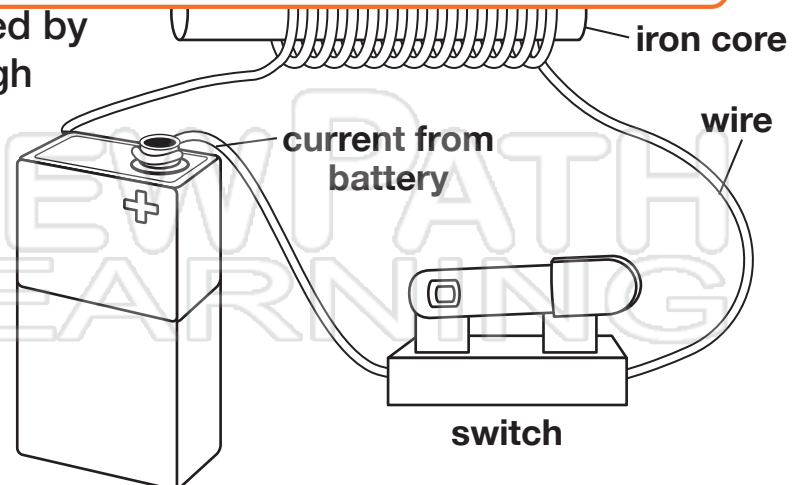
A **parallel circuit** has several paths for the current to flow.



## PREVIEW

Please [Sign In](#) or [Sign Up](#) to download the printable version of this worksheet

An **electromagnet** is in which a magnetic field is created by running an **electric current** through a coiled wire. They are used in electric motors, computers and power generators, among other devices.

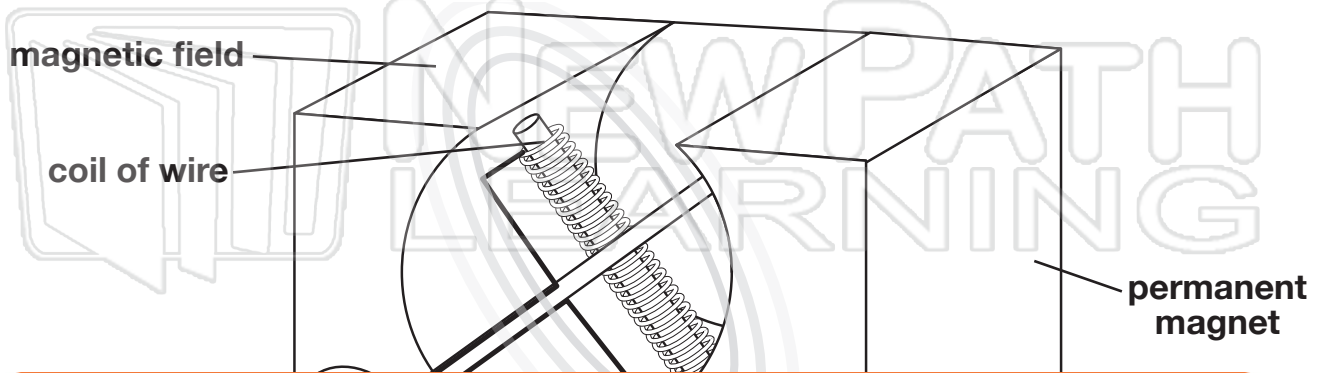




Name \_\_\_\_\_ Class \_\_\_\_\_ Date \_\_\_\_\_

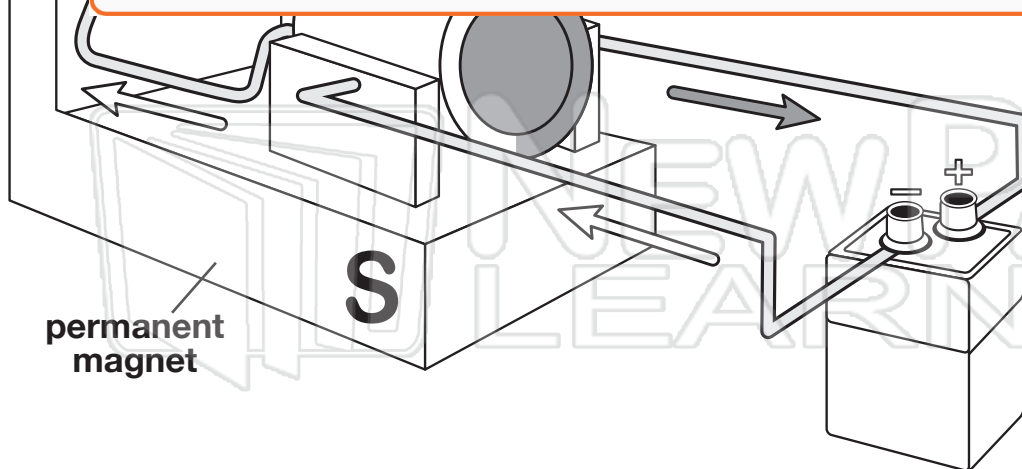
**Generators** produce almost all of our electricity. By burning coal, oil or natural gas, large amounts of water are converted to **steam** which provides the **mechanical energy** needed to **turn** the generators.

**Electromagnets** inside generators change magnetism to electrical energy.



## PREVIEW

Please [Sign In](#) or [Sign Up](#) to download the printable version of this worksheet



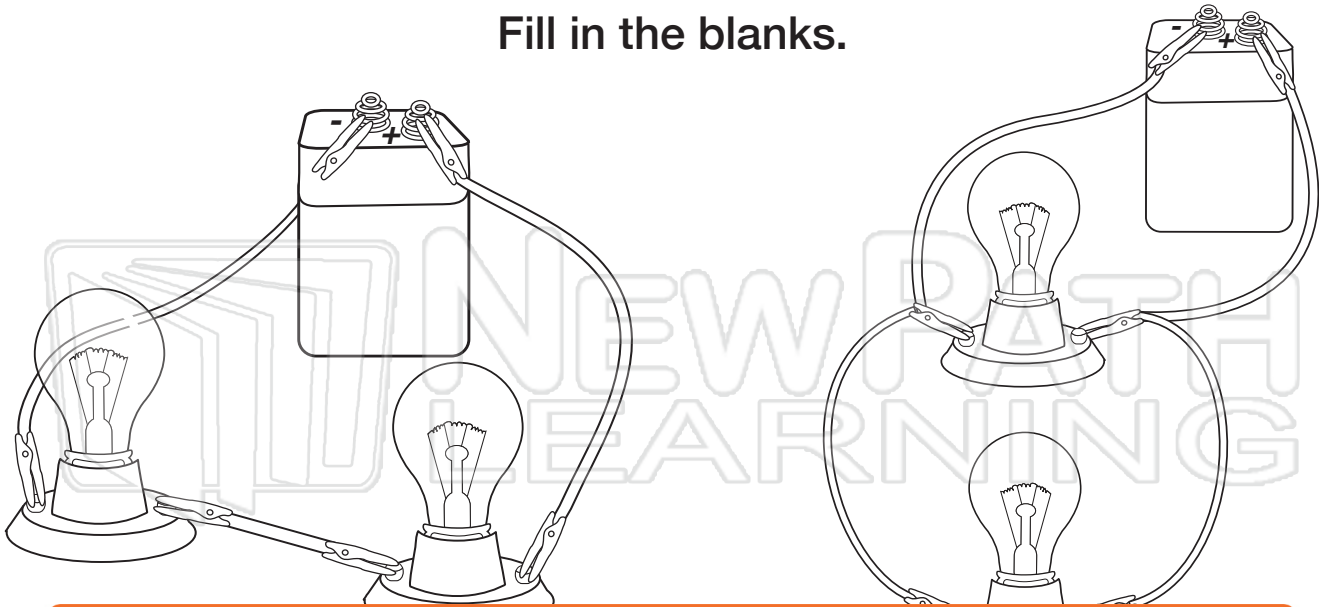


# Electromagnetism

Sci  
F

Name \_\_\_\_\_ Class \_\_\_\_\_ Date \_\_\_\_\_

Fill in the blanks.



A \_\_\_\_\_  
is a c  
flows

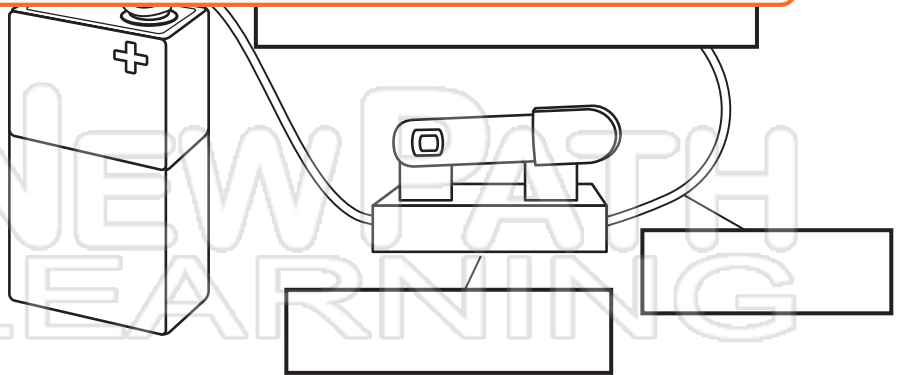
\_\_\_\_\_ge



What \_\_\_\_\_

## PREVIEW

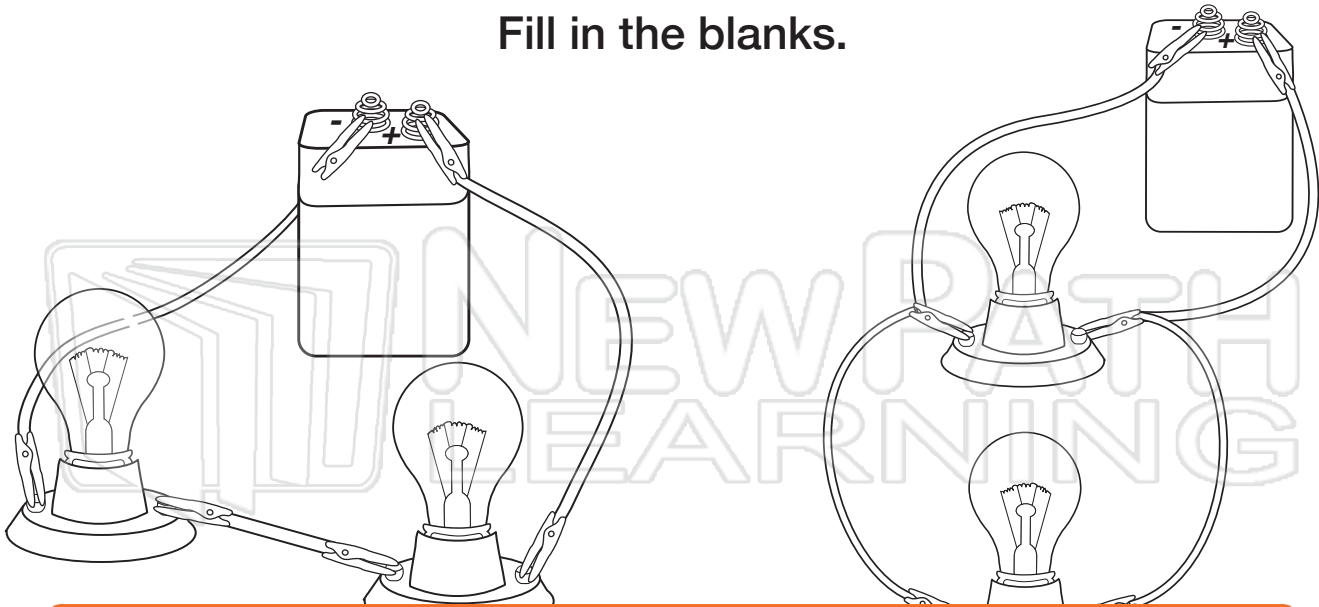
Please [Sign In](#) or [Sign Up](#) to download  
the printable version of this worksheet





## Answer Key - Sample

Fill in the blanks.



A \_\_\_\_\_  
is a c  
flows

\_\_\_\_\_  
arge



What

\_\_\_\_\_  
il

It's a

Please [Sign In](#) or [Sign Up](#) to download  
the printable version of this worksheet

\_\_\_\_\_  
e

a ma

runni

through a coiled wire. They

are used in electric motors,

computers and power

generators, among other

devices.

