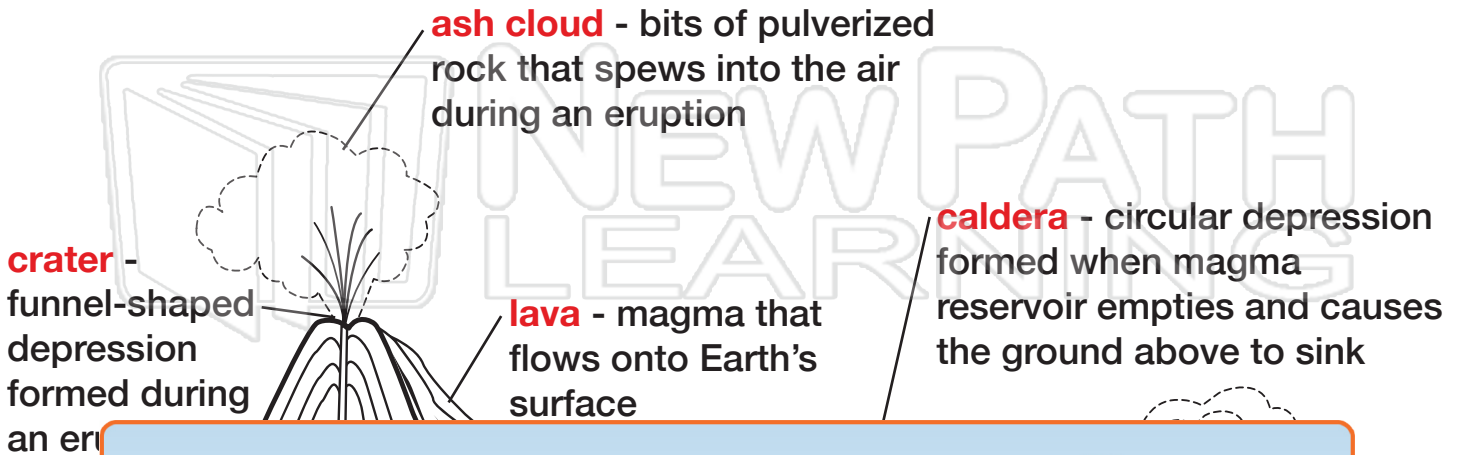




Name _____ Class _____ Date _____

A **volcano** is a rupture in the surface of one of Earth's plates which allows hot, molten rock, ash and gases to escape from below the surface.



PREVIEW

Please [Sign In](#) or [Sign Up](#) to download the printable version of this worksheet

magma - intense heat & pressure in the mantle turn solid rock into liquid magma

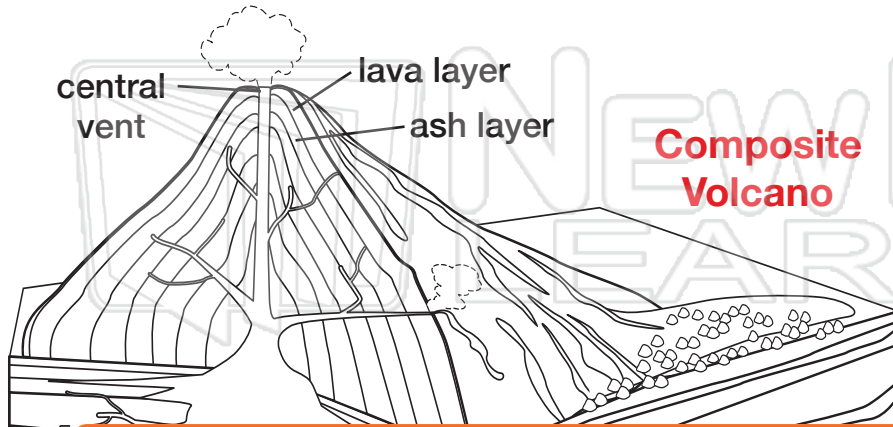
geyser - a natural fountain that shoots out hot groundwater and steam at regular intervals



Name _____ Class _____ Date _____

Types of Volcanoes

Volcanoes can also be classified based on their shape. The three categories are **cinder cones**, **shield volcanoes** and **composite volcanoes**.

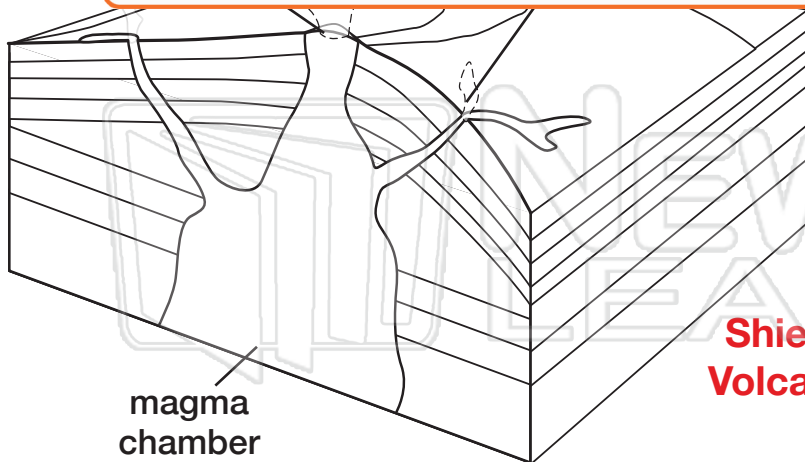


one

PREVIEW

Please [Sign In](#) or [Sign Up](#) to download the printable version of this worksheet

cen



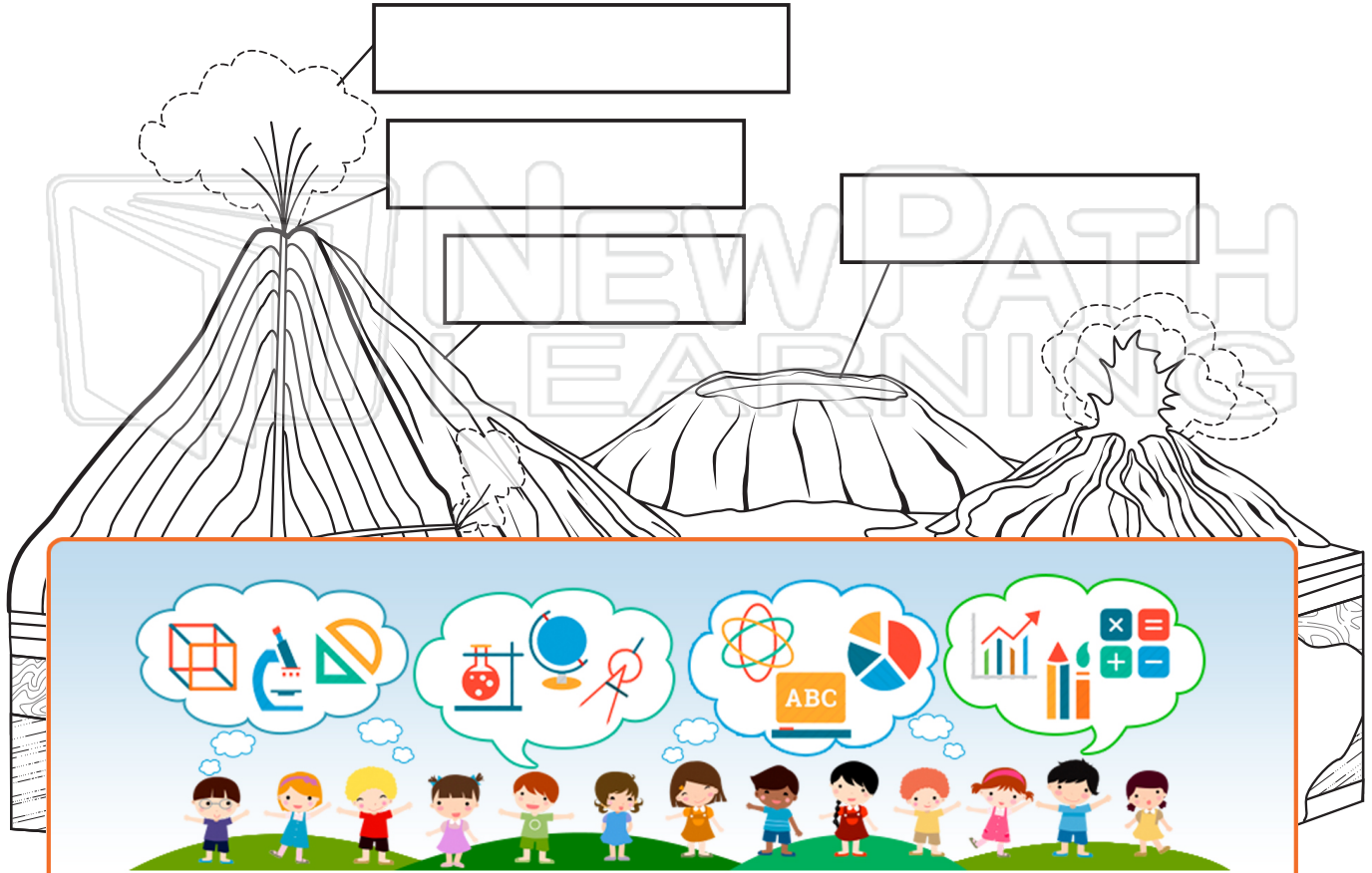


Volcanoes

Sci
F

Name _____ Class _____ Date _____

Label the volcano. Describe the terms below.



crate

caldera: _____

geyser: _____

magma reservoir: _____



Name _____ Class _____ Date _____

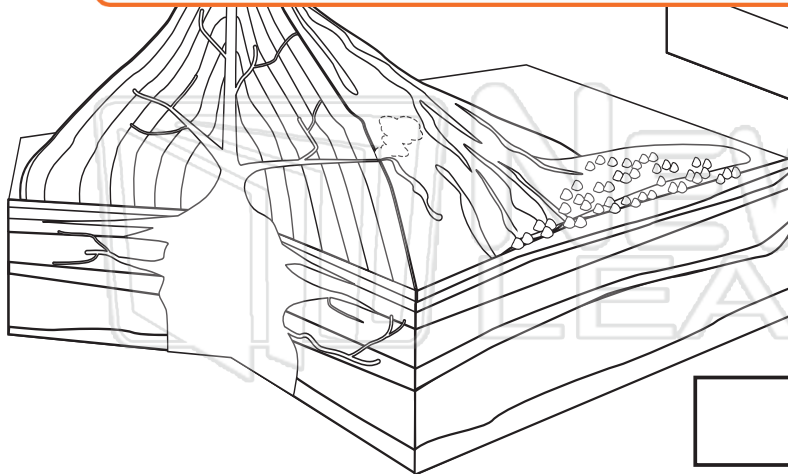
What is a **volcano**? _____

Describe the difference between **magma** and **lava**. _____



PREVIEW

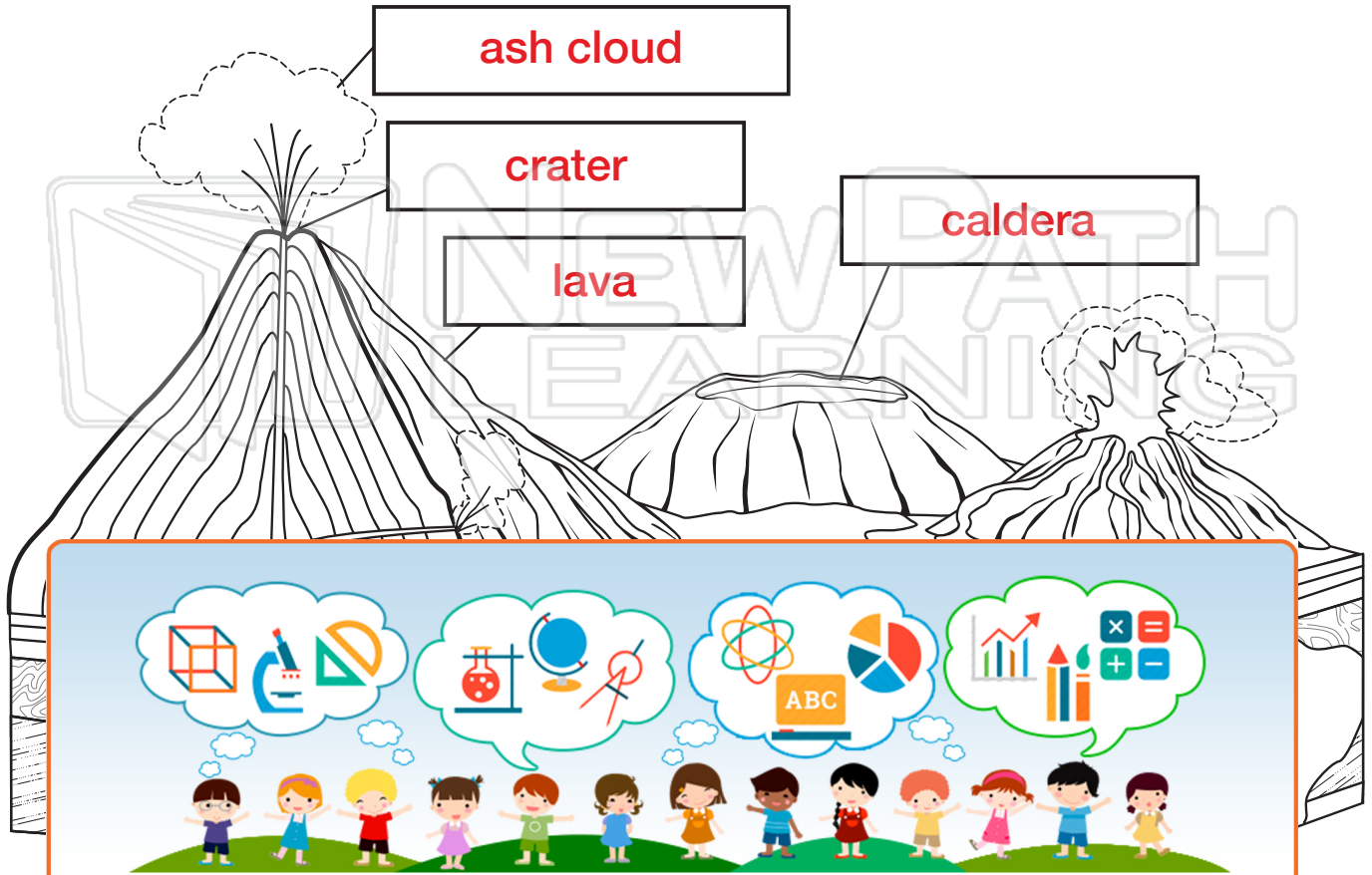
Please [Sign In](#) or [Sign Up](#) to download the printable version of this worksheet





Name _____ Class _____ Date _____

Label the volcano. Describe the terms below.



PREVIEW

Please [Sign In](#) or [Sign Up](#) to download the printable version of this worksheet

caldera: **a circular depression formed when a magma reservoir empties and causes the ground above to sink**

geyser: **a natural fountain that shoots out hot groundwater and steam at regular intervals**

magma reservoir: **intense heat & pressure in the mantle turn solid rock into liquid magma**



Answer Key

What is a **volcano**? They are opening in the Earth's crust where magma erupts onto the surface. They can change the Earth's surface and even form mountains.

Describe the difference between **magma** and **lava**.

Magma is hot melted rock below the Earth's surface. When the magma erupts onto the surface it is called lava. Lava flows out of volcanoes.



PREVIEW

Please [Sign In](#) or [Sign Up](#) to download the printable version of this worksheet

composite