

VOLUME/CAPACITY

What is volume?

Volume is the 3-dimensional size of an object, such as a box.

How to find the volume of a rectangular prism:

The volume of a rectangular prism can be found by the formula:

$$\text{Volume} = \text{Length} \times \text{Width} \times \text{Height}$$

Example:



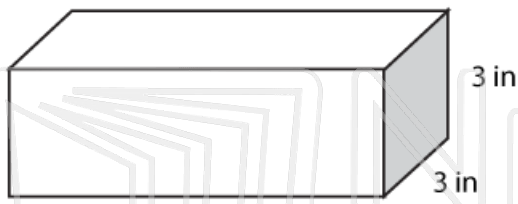
Volume = L x W x H




PREVIEW

Please [Sign In](#) or [Sign Up](#) to download the printable version of this worksheet

Try th



V = _____



V = _____

What is capacity?

Capacity is the amount a 3-dimensional object can hold or carry. It can also be thought of the measure of volume of a 3-dimensional object.

How to determine capacity:

The common measures of volume in the U.S. system of measurements are:

tablespoons = 3 teaspoons

fluid ounces = 2 tablespoons, 6 teaspoons

cups = 8 fluid ounces, 16 tablespoons

pints = 2 cups, 16 fluid ounces

quarts = 2 pints, 4 cups

gallons = 4 quarts, 8 pints, 16 cups

- Con
- Con
- Add
- Perf
- Con
- The
- extr
- Con
- The
- pint



PREVIEW

Please [Sign In](#) or [Sign Up](#) to download the printable version of this worksheet

Exampl

Convert the following: **1** gallon = _____ pints

1 gallon = 8 pints

Try this!

Convert the following: **1** quart = _____ gallons

Convert the following: **3** gallons = _____ cups