

# VOLUME

## What is volume?

**Volume** measures the amount a solid figure can hold.

Volume is measured in terms of units<sup>3</sup> and can be measured in inches, feet, meters, centimeters, and millimeters.

The formula for the **volume of a rectangular prism** is  $V = l \cdot w \cdot h$ , where  $l$  is the length,  $w$  is the width, and  $h$  is the height.

The formula for the **volume of a cube** is  $V = s^3$ , where  $s$  is a side of the square.

How  
The




**PREVIEW**

Please [Sign In](#) or [Sign Up](#) to download the printable version of this worksheet

•  
•

result  
n  
b

Example:



$$V = l \cdot w \cdot h$$

$$120 = 10 \cdot w \cdot 4$$

$$120 = 40 \cdot w$$

$$3 = w$$

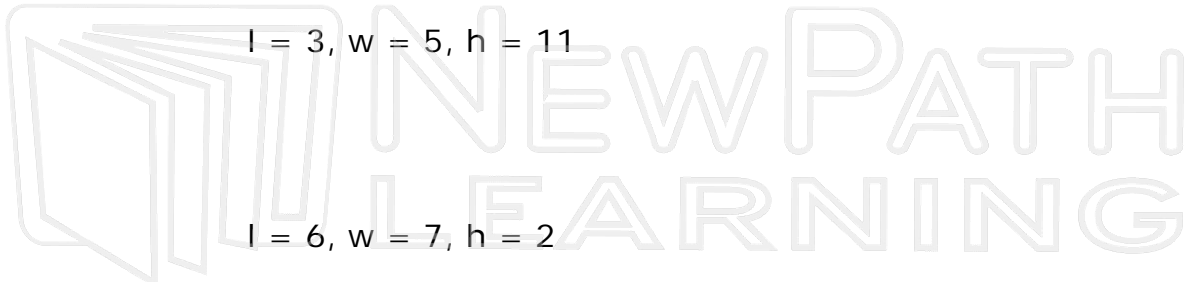
$$V = 120 \text{ units}^3$$

The formula to find the volume of a cube is:  $V = s^3$ .



## Try this!

1. Find the volume:



2. Find the missing dimension:



**PREVIEW**

3. F Please [Sign In](#) or [Sign Up](#) to download the printable version of this worksheet

$$s = 5$$



4. Find the side of a cube:

$$\text{volume} = 64 \text{ units}^3$$

$$\text{volume} = 125 \text{ units}^3$$