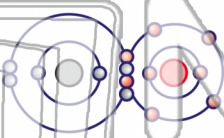




Name \_\_\_\_\_ Class \_\_\_\_\_ Date \_\_\_\_\_

1 In order for a **compound** to form, at least two **elements** have to \_\_\_\_\_.

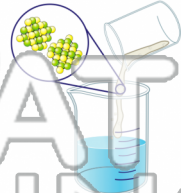
- A look alike
- B chemically bond
- C mix together
- D weigh the same



2 **Concentration** is the percentage of **solvent** dissolved in a solution.

True or false?

- A true
- B false



3 Which of the following is **not** a property of **liquids**?



4 **Glass** is known as an **amorphous solid** because its particles are arranged randomly and it does not have \_\_\_\_\_.

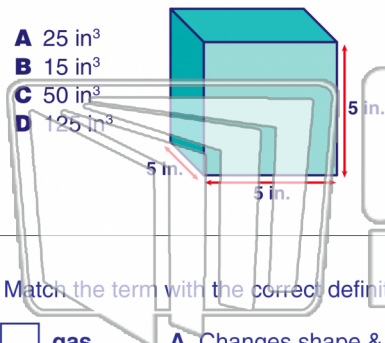


## PREVIEW

Please [Sign In](#) or [Sign Up](#) to download the printable version of this worksheet

7 \_\_\_\_\_ a chemical property of matter.

- A 25 in<sup>3</sup>
- B 15 in<sup>3</sup>
- C 50 in<sup>3</sup>
- D 125 in<sup>3</sup>



- A state
- B viscosity
- C reactivity
- D density



9 Match the term with the correct definition.

- |                                    |                                   |
|------------------------------------|-----------------------------------|
| <input type="checkbox"/> gas       | A. Changes shape & volume         |
| <input type="checkbox"/> liquid    | B. Definite volume & shape        |
| <input type="checkbox"/> solid     | C. Definite volume, changes shape |
| <input type="checkbox"/> amorphous |                                   |

10 Match the term with the correct definition.

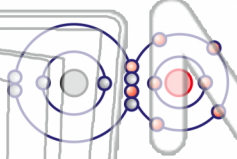
- |                                       |                                    |
|---------------------------------------|------------------------------------|
| <input type="checkbox"/> melting      | A. Changing from a gas to a liquid |
| <input type="checkbox"/> condensation | B. Changing from a liquid to a gas |
| <input type="checkbox"/> freezing     | C. Changing from a solid to liquid |
| <input type="checkbox"/> vaporization |                                    |



Name \_\_\_\_\_ Class \_\_\_\_\_ Date \_\_\_\_\_

1 In order for a **compound** to form, at least two **elements** have to \_\_\_\_\_.

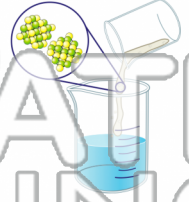
- A look alike
- B chemically bond
- C mix together
- D weigh the same



2 **Concentration** is the percentage of **solvent** dissolved in a solution. True or false?

True or false?

- A true
- B false



3 Which of the following is **not** a property of **liquids**?



4 **Glass** is known as an **amorphous solid** because its particles are arranged randomly and it does not have \_\_\_\_\_.

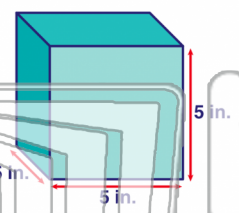


## PREVIEW

Please [Sign In](#) or [Sign Up](#) to download the printable version of this worksheet

7 A rectangular prism has a length of 5 in., a width of 5 in., and a height of 5 in. What is its volume?

- A 25 in<sup>3</sup>
- B 15 in<sup>3</sup>
- C 50 in<sup>3</sup>
- D 125 in<sup>3</sup>



8 \_\_\_\_\_ is a chemical property of matter.

- A state
- B viscosity
- C reactivity
- D density



9 Match the term with the correct definition.

- |                                    |                                   |
|------------------------------------|-----------------------------------|
| <input type="checkbox"/> gas       | A. Changes shape & volume         |
| <input type="checkbox"/> liquid    | B. Definite volume & shape        |
| <input type="checkbox"/> solid     | C. Definite volume, changes shape |
| <input type="checkbox"/> amorphous |                                   |

10 Match the term with the correct definition.

- |                                       |                                    |
|---------------------------------------|------------------------------------|
| <input type="checkbox"/> melting      | A. Changing from a gas to a liquid |
| <input type="checkbox"/> condensation | B. Changing from a liquid to a gas |
| <input type="checkbox"/> freezing     | C. Changing from a solid to liquid |
| <input type="checkbox"/> vaporization |                                    |