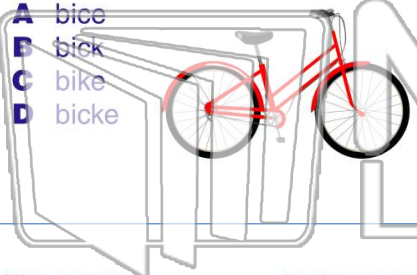




Name _____ Class _____ Date _____

1 My _____ is red.

- A bice
- B bick
- C bike
- D bicke



2 Turn the light _____.

- A oaf
- B ofe
- C uf
- D off



3 There is one _____ in the carton.

- A egg

4 The letter is _____ my uncle.

- A form

5

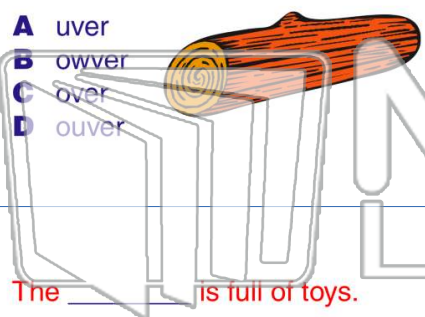


PREVIEW

Please [Sign In](#) or [Sign Up](#) to download the printable version of this worksheet

7

- A uver
- B owver
- C over
- D ouver



- A time
- B team
- C tim
- D tine



9

The _____ is full of toys.

- A bocks
- B bogs
- C books
- D box



10

We _____ to the zoo.

- A whent
- B went
- C vent
- D won't

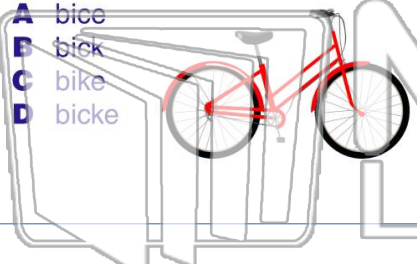




Name _____ Class _____ Date _____

1 My _____ is red.

- A bice
- B bick
- C bike
- D bicke



2 Turn the light _____.

- A oaf
- B ofe
- C uf
- D off



3 There is one _____ in the carton.

- A egg

4 The letter is _____ my uncle.

- A form

5

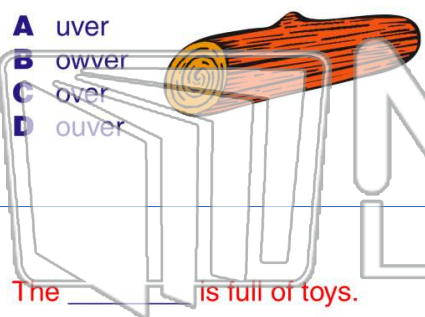


PREVIEW

Please [Sign In](#) or [Sign Up](#) to download the printable version of this worksheet

7

- A uver
- B owver
- C over
- D ouver



- A time
- B team
- C tim
- D tine



9

The _____ is full of toys.

- A bocks
- B bogs
- C books
- D box



10

We _____ to the zoo.

- A whent
- B went
- C vent
- D won't

