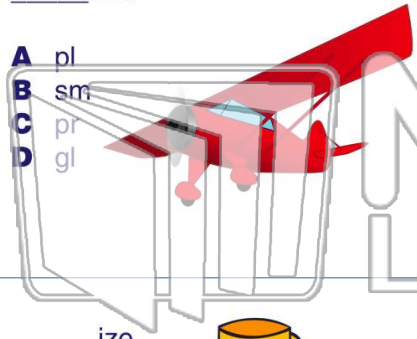




Name _____ Class _____ Date _____

1 _____ane

- A pl
- B sm
- C pr
- D gl



2 _____ean

- A sp
- B cr
- C br
- D cl



3 _____ize

- A cl



4 _____ill

- A cr



5

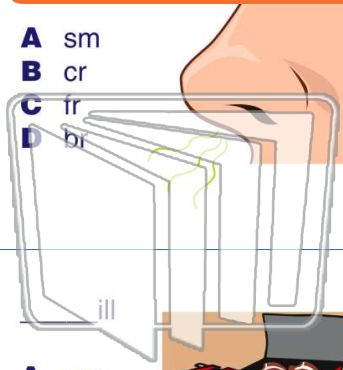


PREVIEW

Please [Sign In](#) or [Sign Up](#) to download the printable version of this worksheet

7

- A sm
- B cr
- C fr
- D br



- A gr
- B sl
- C tr
- D br



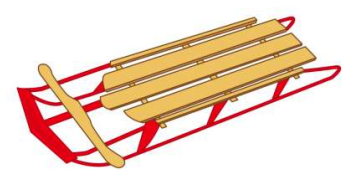
9

- A sm
- B cl
- C gr
- D pr



10

- A cr
- B sm
- C sk
- D sl

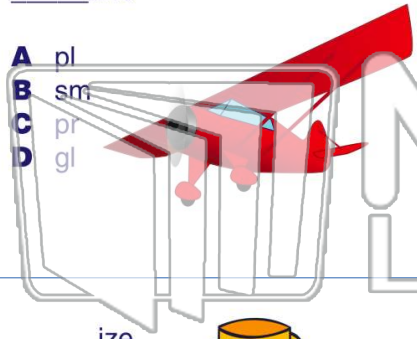




Name _____ Class _____ Date _____

1 _____ane

- A pl
- B sm
- C pr
- D gl



2 _____ean

- A sp
- B cr
- C br
- D cl



3 _____ize

- A cl



4 _____ill

- A cr



5

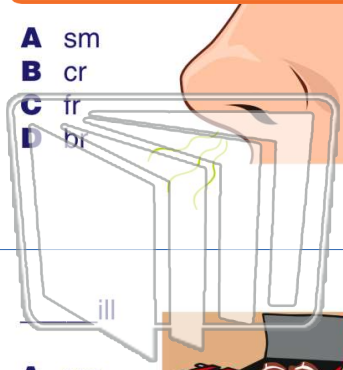


PREVIEW

Please [Sign In](#) or [Sign Up](#) to download the printable version of this worksheet

7

- A sm
- B cr
- C fr
- D br



- A gr
- B sl
- C tr
- D br



9

- A sm
- B cl
- C gr
- D pr



10

- A cr
- B sm
- C sk
- D sl

