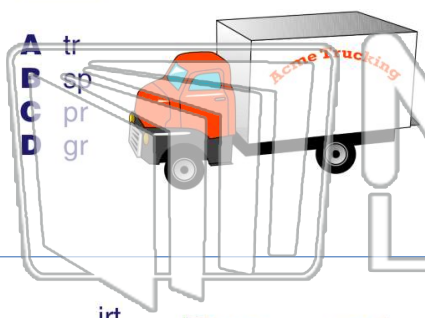




Name _____ Class _____ Date _____

1 _____ uck

- A tr
- B sp
- C pr
- D gr



2 _____ ale

- A sl
- B sp
- C sc
- D cl



3 _____ irt

- A cr

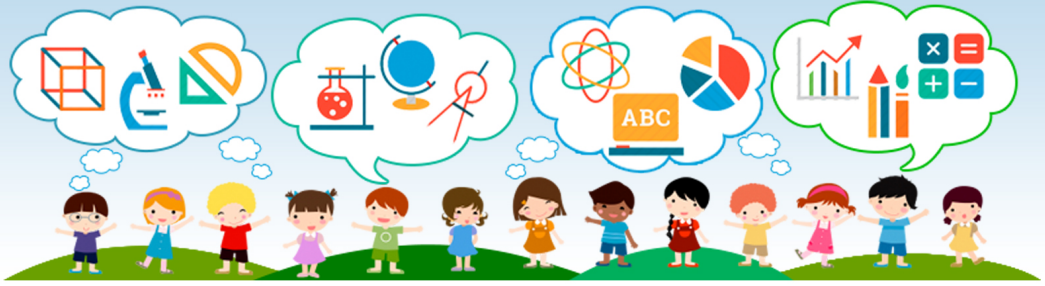


4 _____ ove

- A sm



5

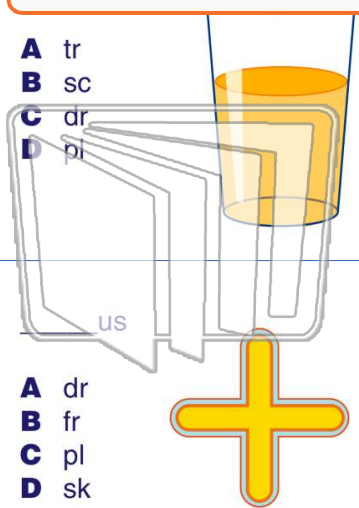


PREVIEW

Please [Sign In](#) or [Sign Up](#) to download the printable version of this worksheet

7

- A tr
- B sc
- C dr
- D pl



- A sp
- B cr
- C pl
- D sw



9

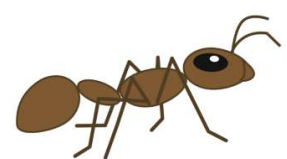
- A dr
- B fr
- C pl
- D sk

_____ us

10

- A gr
- B sm
- C tr
- D gl

_____ all

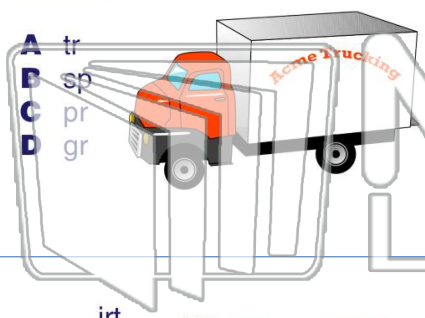




Name _____ Class _____ Date _____

1 _____ uck

- A tr
- B sp
- C pr
- D gr



2 _____ ale

- A sl
- B sp
- C sc
- D cl



3 _____ irt

- A cr



4 _____ ove

- A sm



5

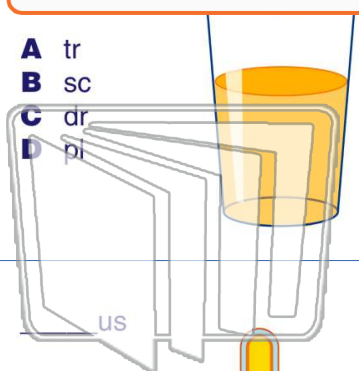


PREVIEW

Please [Sign In](#) or [Sign Up](#) to download the printable version of this worksheet

7

- A tr
- B sc
- C dr
- D pl

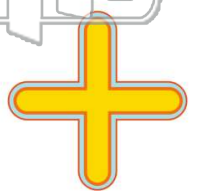


- A sp
- B cr
- C pl
- D sw



9

- A dr
- B fr
- C pl
- D sk



10

- A gr
- B sm
- C tr
- D gl

