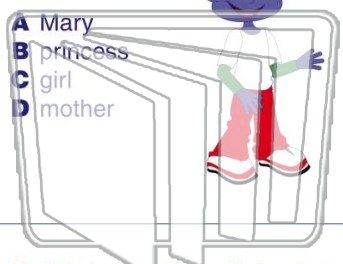




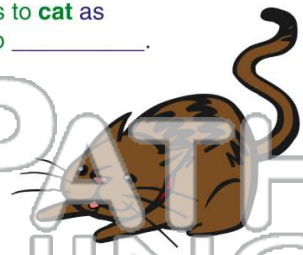
Name \_\_\_\_\_ Class \_\_\_\_\_ Date \_\_\_\_\_

1 Boy is to son as \_\_\_\_\_ is to daughter.



- A Mary
- B princess
- C girl
- D mother

2 Kitten is to cat as calf is to \_\_\_\_\_.



- A farm
- B milk
- C moo
- D cow

3 Talk is to mouth as listen is to \_\_\_\_\_.



- A noise

4 Yellow is to banana as red is to \_\_\_\_\_.



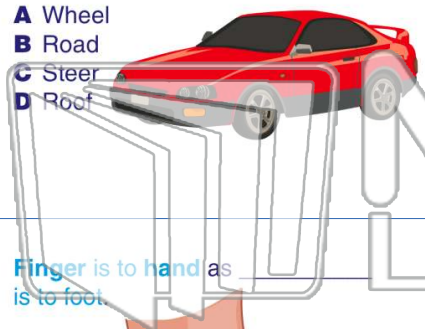
5

## PREVIEW

Please [Sign In](#) or [Sign Up](#) to download the printable version of this worksheet

7

- A Wheel
- B Road
- C Steer
- D Roof

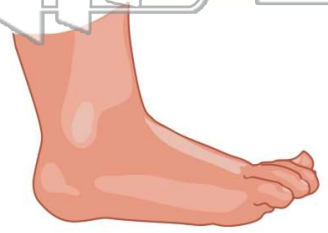


- A wet
- B cold
- C deep
- D swimming



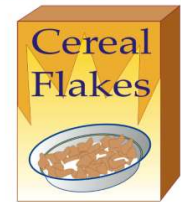
9 Finger is to hand as \_\_\_\_\_ is to foot.

- A sock
- B shoe
- C toe
- D kick



10 Breakfast is to \_\_\_\_\_ as dinner is to evening.

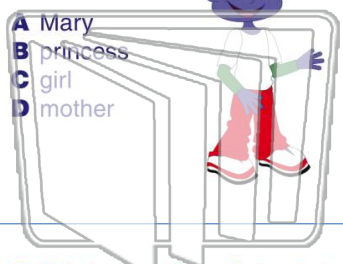
- A cereal
- B morning
- C pancakes
- D early





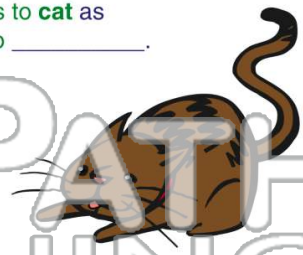
Name \_\_\_\_\_ Class \_\_\_\_\_ Date \_\_\_\_\_

1 Boy is to son as \_\_\_\_\_ is to daughter.



- A Mary
- B princess
- C girl
- D mother

2 Kitten is to cat as calf is to \_\_\_\_\_.



- A farm
- B milk
- C moo
- D cow

3 Talk is to mouth as listen is to \_\_\_\_\_.



- A noise

4 Yellow is to banana as red is to \_\_\_\_\_.



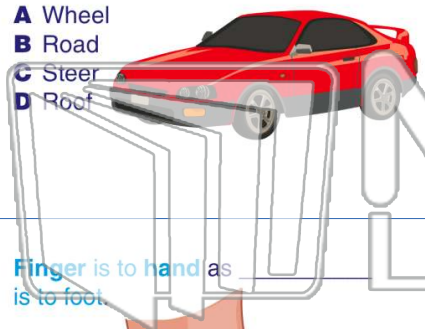
5

## PREVIEW

Please [Sign In](#) or [Sign Up](#) to download the printable version of this worksheet

7

- A Wheel
- B Road
- C Steer
- D Roof

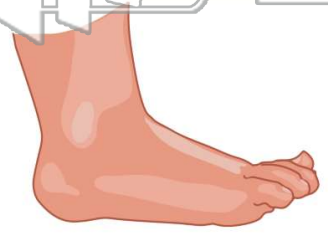


- A wet
- B cold
- C deep
- D swimming



9 Finger is to hand as \_\_\_\_\_ is to foot.

- A sock
- B shoe
- C toe
- D kick



10 Breakfast is to \_\_\_\_\_ as dinner is to evening.

- A cereal
- B morning
- C pancakes
- D early

