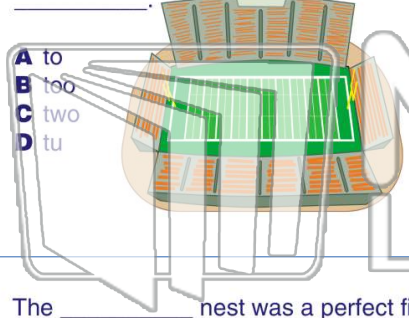




Name _____ Class _____ Date _____

1 Drew wanted to go to the game



- A to
- B too
- C two
- D tu

2 More than one man = _____

- A mans
- B mens
- C men
- D menes



3 The _____ nest was a perfect fit for the robin.



4 The _____ on the grass glistened in the sunlight.

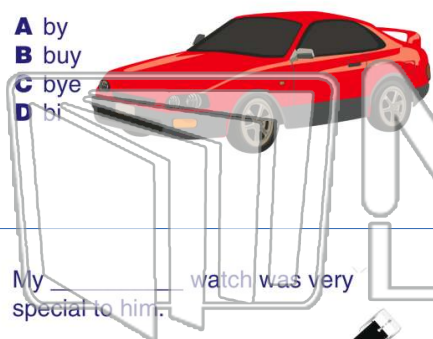
5



PREVIEW

Please [Sign In](#) or [Sign Up](#) to download the printable version of this worksheet

7



- A by
- B buy
- C bye
- D bi

- A doggies
- B doggs
- C doges
- D dogs



9 My _____ watch was very special to him.

- A grand'fathers
- B grandfathers
- C grandfather's
- D grandfathers'



10 _____ wasn't allowed to cross the busy _____ alone.

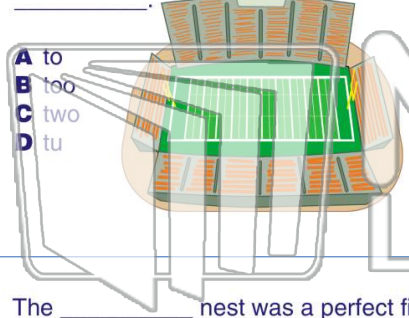
- A rode
- B rowed
- C road
- D rod





Name _____ Class _____ Date _____

1 Drew wanted to go to the game



- A to
- B too
- C two
- D tu

2 More than one man = _____

- A mans
- B mens
- C men
- D menes



3 The _____ nest was a perfect fit for the robin.

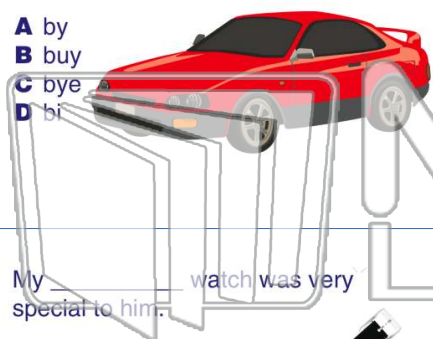


4 The _____ on the grass glistened in the sunlight.

PREVIEW

Please [Sign In](#) or [Sign Up](#) to download the printable version of this worksheet

7 _____



- A by
- B buy
- C bye
- D bi

- A doggies
- B doggs
- C doges
- D dogs



9 My _____ watch was very special to him.

- A grand'fathers
- B grandfathers
- C grandfather's
- D grandfathers'



10 _____ wasn't allowed to cross the busy _____ alone.

- A rode
- B rowed
- C road
- D rod

