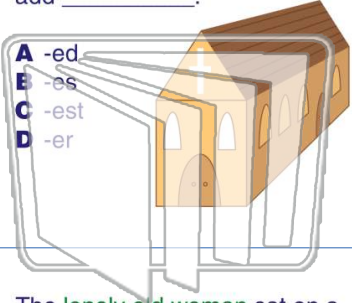




Name _____ Class _____ Date _____

1 To change the verb **preach** to a noun, add _____.

- A -ed
- B -es
- C -est
- D -er



2 "Last night, I walked with my walking stick down a dark walk."
The only word in this sentence that is a verb is **walking**.

- A true
- B false



3 The **lonely old woman** sat on a bench until a **stranger** _____ her.

4 Adding the suffix **-ness** to the adjective **kind** changes the word to a noun, **kindness**.



PREVIEW

Please [Sign In](#) or [Sign Up](#) to download the printable version of this worksheet

7 _____ means _____.

- A having a job
- B knowing a lot
- C being employed
- D having a certain skill



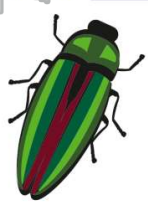
8 _____ means _____.

- A true
- B false



9 An **arthropod**, a **millipede**, a **tripod**, and a **biped** all have _____.

- A hair
- B stripes
- C legs
- D pods



10 A **kitchenette** and a **booklet** are both _____.

- A smaller than normal
- B bigger than normal
- C average
- D just the right size

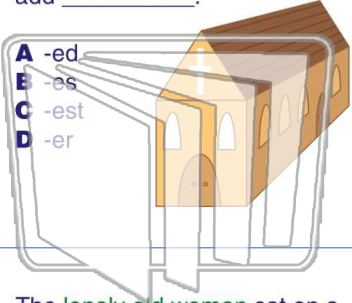




Name _____ Class _____ Date _____

1 To change the verb **preach** to a noun, add _____.

- A -ed
- B -es
- C -est
- D -er



2 "Last night, I walked with my walking stick down a dark walk."
The only word in this sentence that is a verb is **walking**.

- A true
- B false



3 The **lonely** old woman sat on a bench until a **stranger** _____ her.

4 Adding the suffix **-ness** to the adjective **kind** changes the word to a noun, **kindness**.



PREVIEW

Please [Sign In](#) or [Sign Up](#) to download the printable version of this worksheet

7 _____ means _____.

- A having a job
- B knowing a lot
- C being employed
- D having a certain skill



- A true
- B false



9 An **arthropod**, a **millipede**, a **tripod**, and a **biped** all have _____.

- A hair
- B stripes
- C legs
- D pods



10 A **kitchenette** and a **booklet** are both _____.

- A smaller than normal
- B bigger than normal
- C average
- D just the right size

