

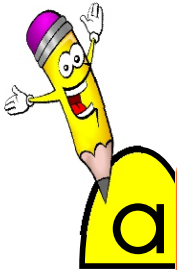
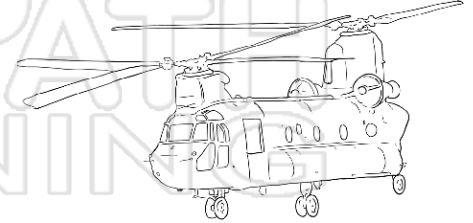
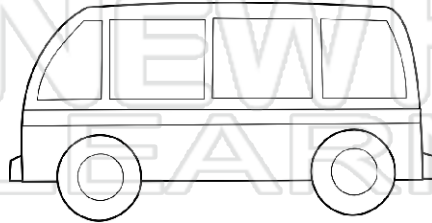
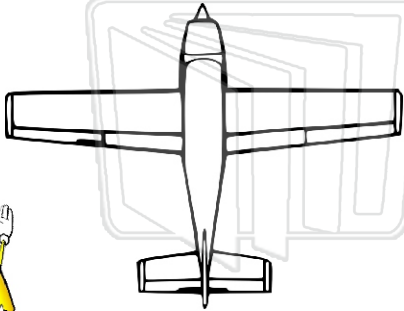


Name \_\_\_\_\_

Date \_\_\_\_\_

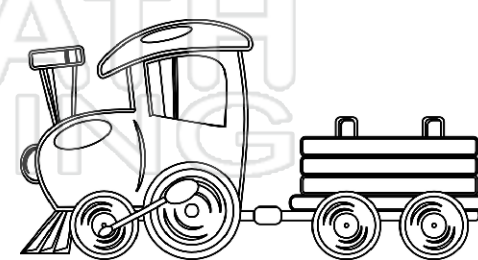
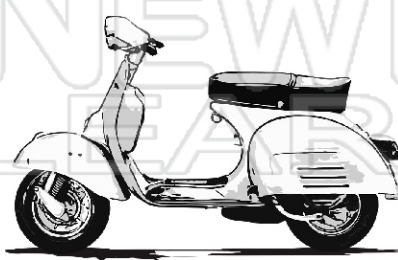
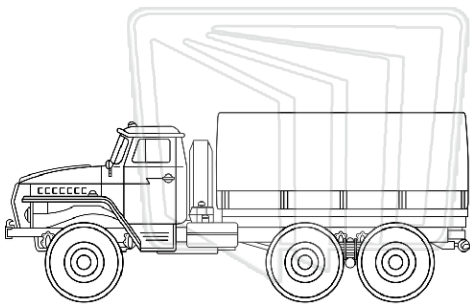
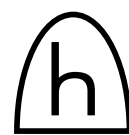
## beginning sounds

Color the beginning sound of each picture. Then color your favorite transport.



**PREVIEW**

Please [Sign In](#) or [Sign Up](#) to download the printable version of this worksheet



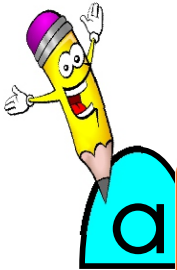
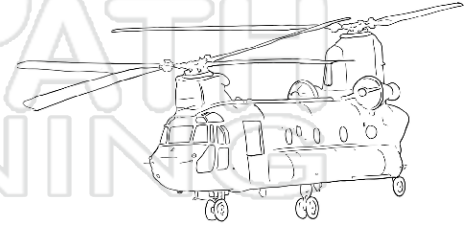
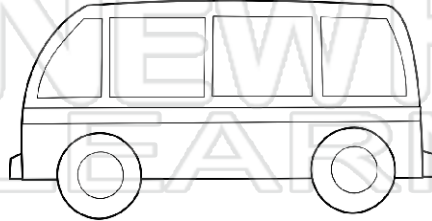
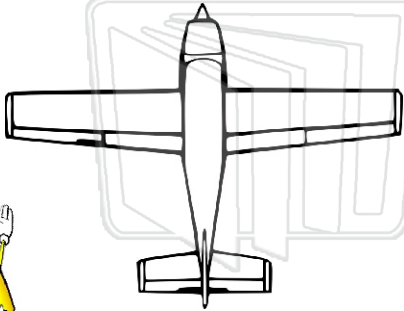


Name \_\_\_\_\_

Date \_\_\_\_\_

## answer key

Color the beginning sound of each picture. Then color your favorite transport.



**PREVIEW**

Please [Sign In](#) or [Sign Up](#) to download the printable version of this worksheet

