

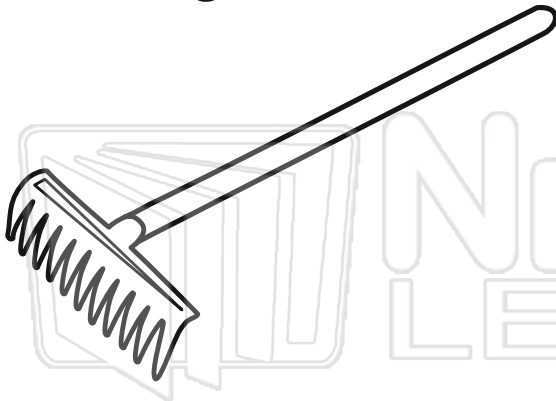


Name _____

Date _____

_ag

Circle **_ag** words.



PREVIEW

Please [Sign In](#) or [Sign Up](#) to download the printable version of this worksheet

