



Name _____

Date _____

How many of these things fit along the meter when it is

straight

curved



hexagons

hexagons

squares



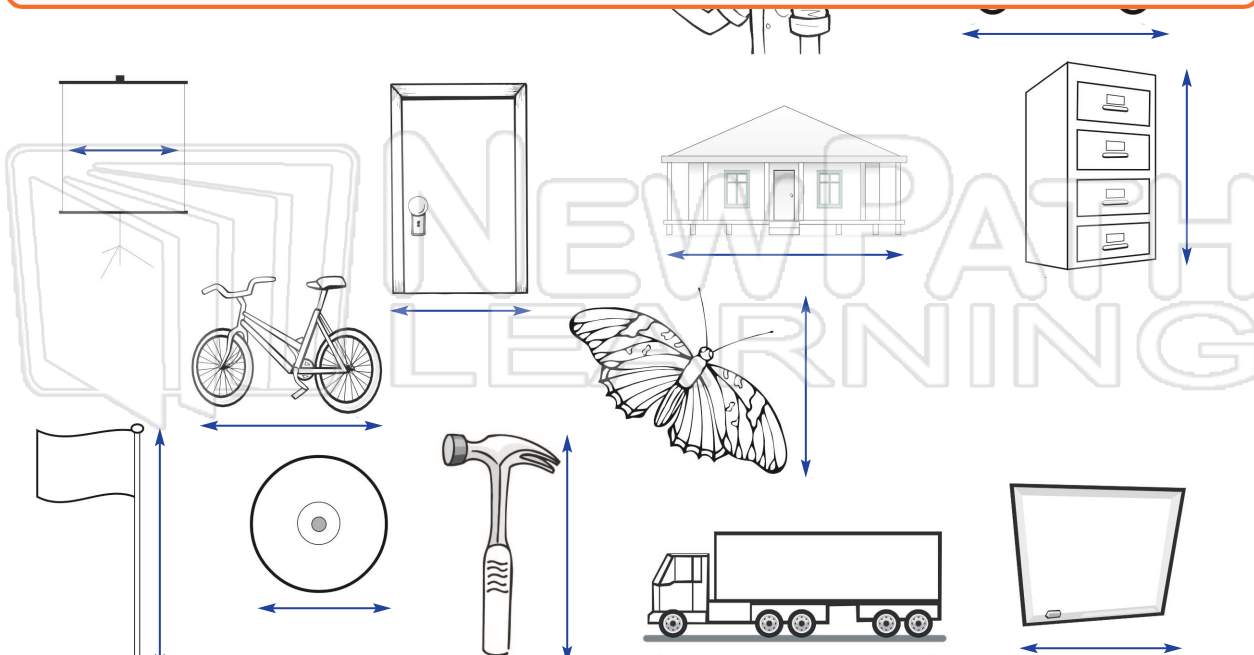
squares

YOU NEED:
meter
measure
pattern
blocks



PREVIEW

Please [Sign In](#) or [Sign Up](#) to download the printable version of this worksheet





Name _____

Date _____

How many of these things fit along the meter when it is

straight

curved

YOU NEED:

meter
measure
pattern
blocks



hexagons

hexagons

squares



squares



PREVIEW

Please [Sign In](#) or [Sign Up](#) to download the printable version of this worksheet

