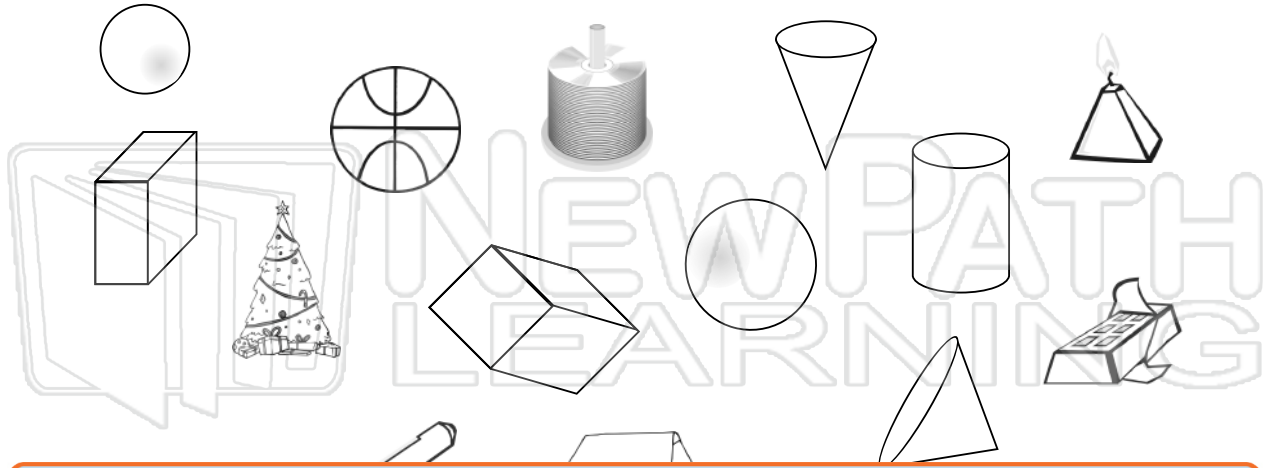




Name _____ Class _____ Date _____

Color spheres **blue**, prisms **yellow**, cylinders **red**, cones **orange** and pyramids **purple**.

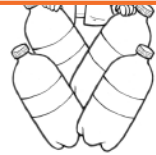


PREVIEW

Please [Sign In](#) or [Sign Up](#) to download the printable version of this worksheet

--	--	--	--

taken up by an object.
Capacity means how much a container can hold.



Is it necessary for people to use the same units to measure volume? _____

Why? What would happen if they used different units? _____

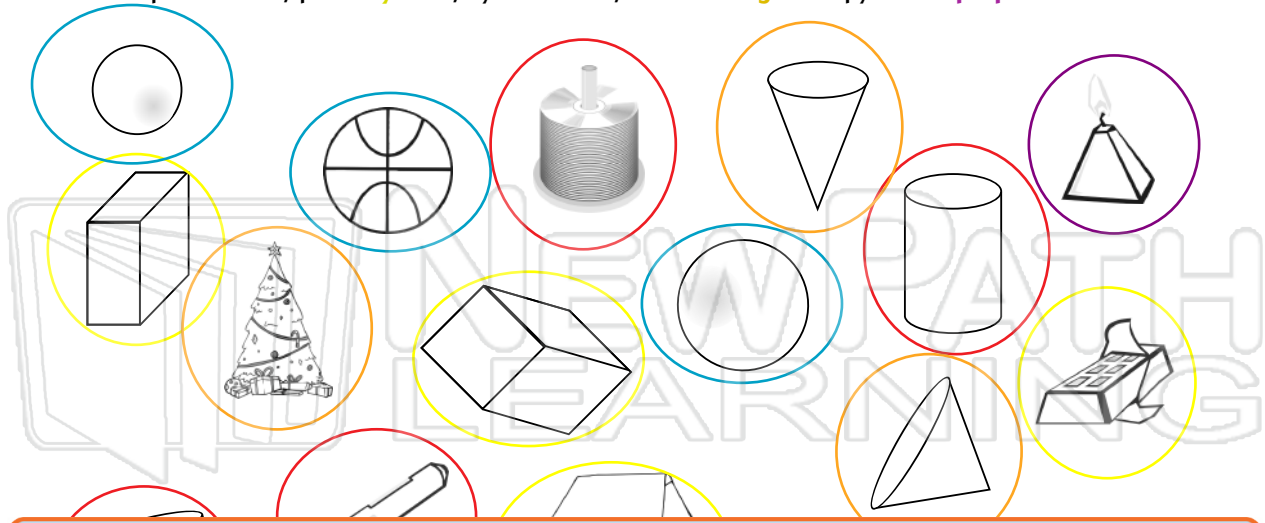
Liquids are measured using gallons or liters.
 Color the items that are measured in gallons or liters blue.

- | | | | | |
|----------|--------|--------|-------|---------|
| Milk | Soda | Carpet | Paint | Gas |
| Lemonade | Ribbon | Juice | Rice | Vinegar |
| Water | Oil | Sugar | Glue | Wine |



ANSWER KEY

Color spheres **blue**, prisms **yellow**, cylinders **red**, cones **orange** and pyramids **purple**.



PREVIEW

Please [Sign In](#) or [Sign Up](#) to download the printable version of this worksheet



Capacity means how much a container can hold.



Is it necessary for people to use the same units to measure volume? Yes

Why? What would happen if they used different units? People couldn't figure out or compare the contents.

Liquids are measured using gallons or liters.

Color the items that are measured in gallons or liters blue.

- | | | | | |
|----------|--------|--------|-------|---------|
| Milk | Soda | Carpet | Paint | Gas |
| Lemonade | Ribbon | Juice | Rice | Vinegar |
| Water | Oil | Sugar | Glue | Wine |