



# Multiplication and Division

Math

Name \_\_\_\_\_ Class \_\_\_\_\_ Date \_\_\_\_\_

How many twos?

$2 + 2 + 2 + 2 + 2$  is 5 groups of 2.

$$5 \times 2 = 10$$

Write multiplication number sentences for these:

$$2 + 2 + 2 + 2 + 2 + 2 + 2 + 2 =$$

$$\underline{\quad} \times 2 = \underline{\quad}$$

$$2 + 2 + 2 + 2 + 2 + 2 + 2 + 2 + 2 + 2 =$$

$$\underline{\quad} \times \underline{\quad} = \underline{\quad}$$

$$2 + 2 + 2 + 2 + 2 =$$

$$\underline{\quad} \times \underline{\quad} = \underline{\quad}$$

$$2 + 2 + 2 + 2 + 2 + 2 + 2 =$$

$$\underline{\quad} \times \underline{\quad} = \underline{\quad}$$

$$2 + 2 + 2 + 2 + 2 + 2 + 2 + 2 + 2 =$$

$$\underline{\quad} \times \underline{\quad} = \underline{\quad}$$

$$2 + 2 + 2 + 2 + 2 =$$

$$\underline{\quad} \times \underline{\quad} = \underline{\quad}$$

$$2 + 2 + 2 + 2 =$$

$$\underline{\quad} \times \underline{\quad} = \underline{\quad}$$

$$2 + 2 + 2 =$$

$$\underline{\quad} \times \underline{\quad} = \underline{\quad}$$

$$2 + 2 + 2 + 2 + 2 + 2 + 2 + 2 + 2 + 2 + 2 =$$

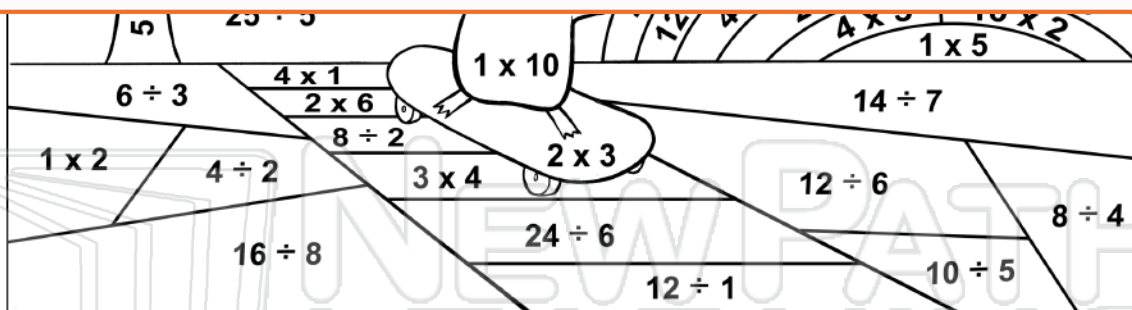
$$\underline{\quad} \times \underline{\quad} = \underline{\quad}$$

The quickest way to find the total is to \_\_\_\_\_



## PREVIEW

Please [Sign In](#) or [Sign Up](#) to download the printable version of this worksheet



Color key:

- ☆ 2 = green
- ☆ 4 = yellow
- ☆ 10 = brown
- ☆ 20 = purple
- ☆ 3 = red
- ☆ 5 = blue
- ☆ 12 = orange
- ☆ 6 = pink



## ANSWER KEY

How many twos?

$2 + 2 + 2 + 2 + 2$  is 5 groups of 2.

$$5 \times 2 = 10$$

Write multiplication number sentences for these:

$$2 + 2 + 2 + 2 + 2 + 2 + 2 + 2 =$$

$$\frac{8}{\quad} \times \frac{2}{\quad} = \frac{16}{\quad}$$

$$2 + 2 + 2 + 2 + 2 + 2 + 2 + 2 + 2 + 2 =$$

$$\frac{10}{\quad} \times \frac{2}{\quad} = \frac{20}{\quad}$$

$$2 + 2 + 2 + 2 + 2 =$$

$$\frac{5}{\quad} \times \frac{2}{\quad} = \frac{10}{\quad}$$

$$2 + 2 + 2 + 2 + 2 + 2 + 2 =$$

$$\frac{7}{\quad} \times \frac{2}{\quad} = \frac{14}{\quad}$$

$$2 + 2 + 2 + 2 + 2 + 2 + 2 + 2 + 2 =$$

$$\frac{9}{\quad} \times \frac{2}{\quad} = \frac{18}{\quad}$$

$$2 + 2 + 2 + 2 + 2 + 2 =$$

$$\frac{6}{\quad} \times \frac{2}{\quad} = \frac{12}{\quad}$$

$$2 + 2 + 2 + 2 =$$

$$\frac{4}{\quad} \times \frac{2}{\quad} = \frac{8}{\quad}$$

$$2 + 2 + 2 =$$

$$\frac{3}{\quad} \times \frac{2}{\quad} = \frac{6}{\quad}$$

$$2 + 2 + 2 + 2 + 2 + 2 + 2 + 2 + 2 + 2 + 2 =$$

$$\frac{11}{\quad} \times \frac{2}{\quad} = \frac{22}{\quad}$$

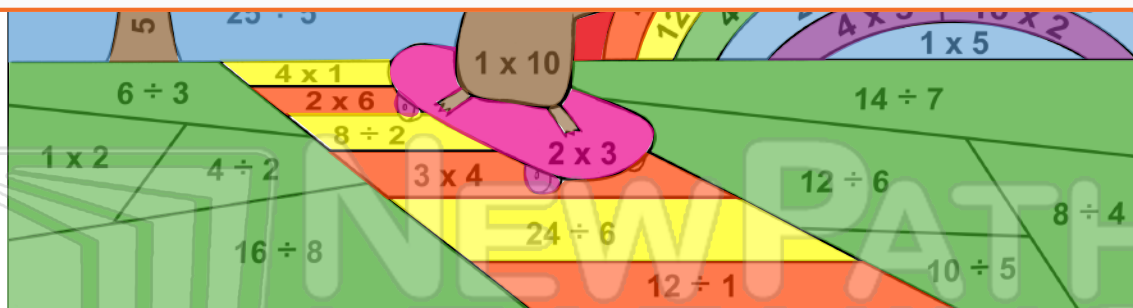
The quickest way to find the total is to

use multiplication.



## PREVIEW

Please [Sign In](#) or [Sign Up](#) to download the printable version of this worksheet



Color key:

- ✧ 2 = green
- ✧ 4 = yellow
- ✧ 10 = brown
- ✧ 20 = purple
- ✧ 3 = red
- ✧ 5 = blue
- ✧ 12 = orange
- ✧ 6 = pink