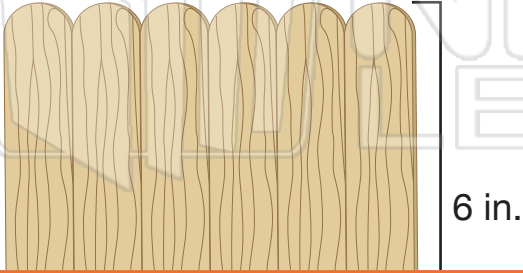
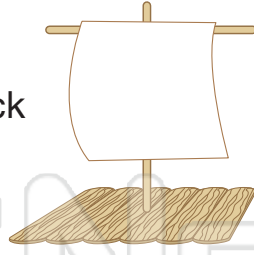




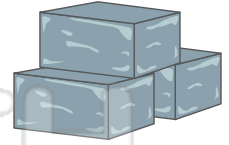
Name \_\_\_\_\_ Class \_\_\_\_\_ Date \_\_\_\_\_

Use the pictures to help solve the problems. Show your work.

Jess is making a raft from popsicle sticks. She glues together 6 sticks. Each stick is 1 in. wide and 6 inches long. What's the perimeter of the raft?



My brother Tommy is building a wall with his blocks. Each block measures 12 cm long and 8 cm high. He lines up 6 blocks in a row, then builds on another 4 layers. What is the perimeter of the wall?

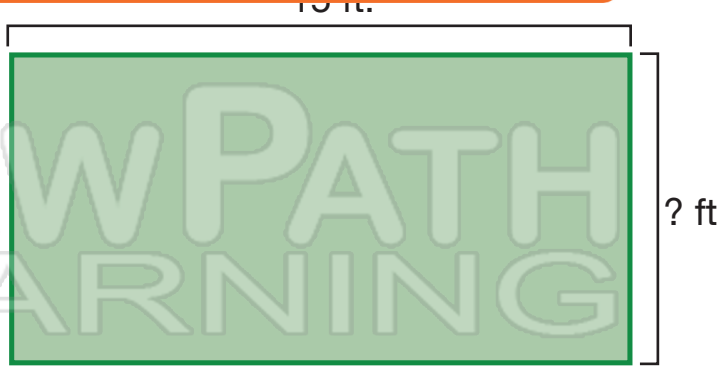
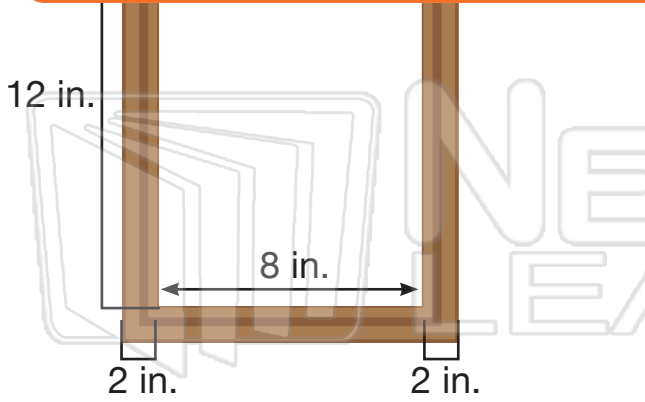


perim \_\_\_\_\_

Wand \_\_\_\_\_  
frame \_\_\_\_\_  
the si \_\_\_\_\_  
is the \_\_\_\_\_

**PREVIEW**

Please [Sign In](#) or [Sign Up](#) to download the printable version of this worksheet



perimeter = \_\_\_\_\_

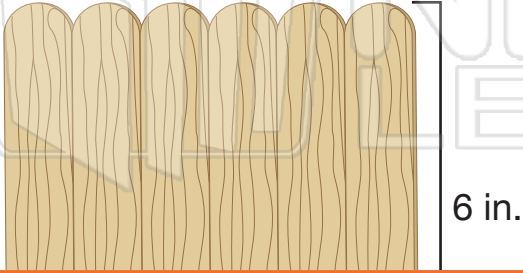
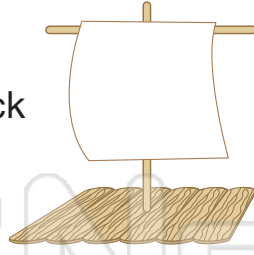
perimeter = \_\_\_\_\_



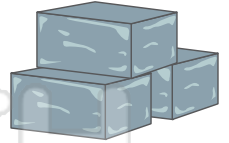
Name \_\_\_\_\_ Class \_\_\_\_\_ Date \_\_\_\_\_

Use the pictures to help solve the problems. Show your work.

Jess is making a raft from popsicle sticks. She glues together 6 sticks. Each stick is 1 in. wide and 6 inches long. What's the perimeter of the raft?



My brother Tommy is building a wall with his blocks. Each block measures 12 cm long and 8 cm high. He lines up 6 blocks in a row, then builds on another 4 layers. What is the perimeter of the wall?

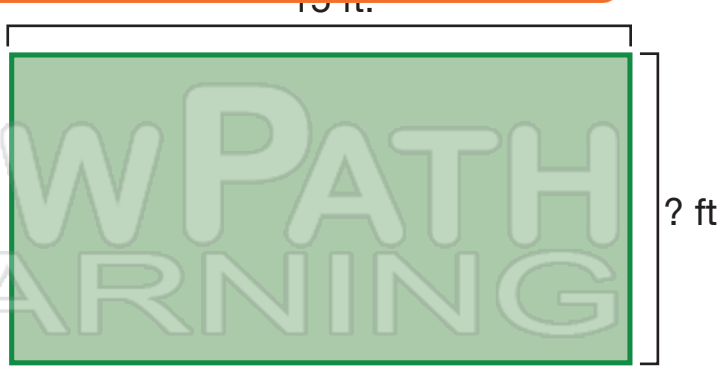
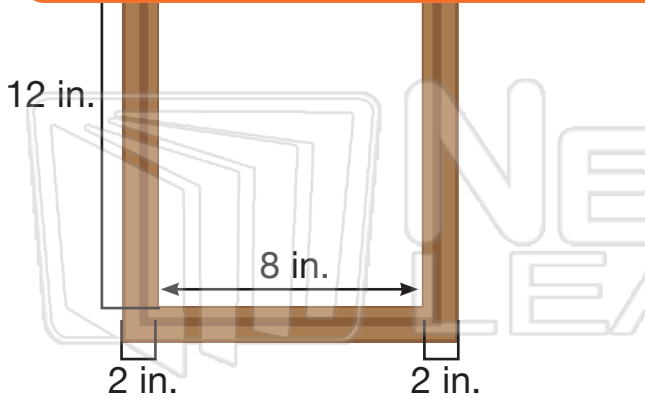


perim

Wand  
frame  
the si  
is the

**PREVIEW**

Please [Sign In](#) or [Sign Up](#) to download the printable version of this worksheet



perimeter =  $2(8 + 4) + 2(12 + 4) = 56 \text{ in.}$

perimeter =  $2(15) + 2(15 \div 2) = 45 \text{ ft}$