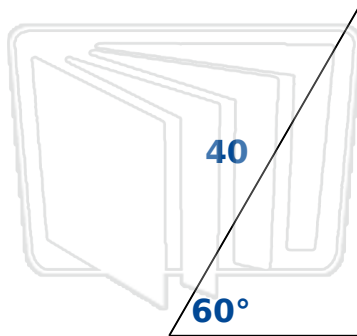




Name \_\_\_\_\_ Class \_\_\_\_\_ Date \_\_\_\_\_

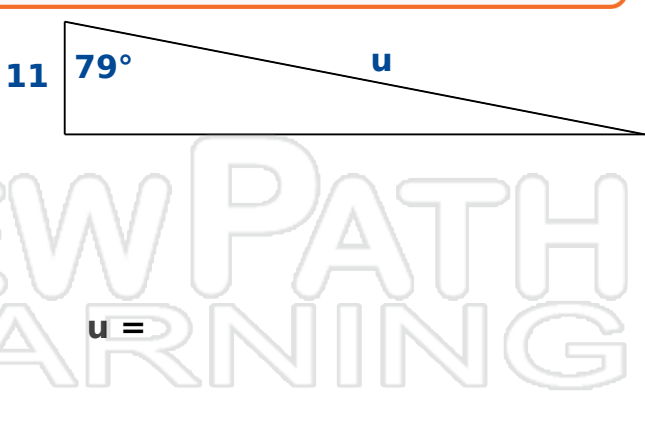
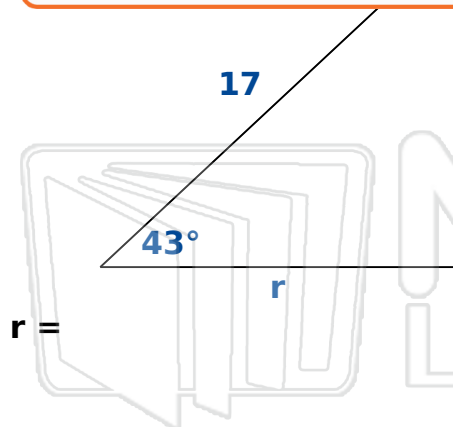
Find the side indicated by the variable. Round to the nearest tenth.



**PREVIEW**

Please [Sign In](#) or [Sign Up](#) to download the printable version of this worksheet

47





# Solving Right Triangles - Answer Key

Math

Name \_\_\_\_\_ Class \_\_\_\_\_ Date \_\_\_\_\_

Find the side indicated by the variable. Round to the nearest tenth.



**PREVIEW**

Please [Sign In](#) or [Sign Up](#) to download the printable version of this worksheet

47

