

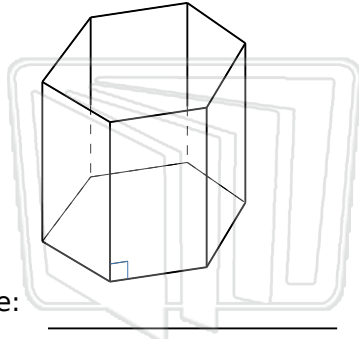


Identify Solid Figures

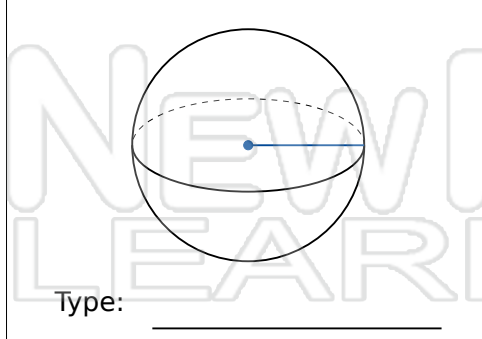
Math

Name _____ Class _____ Date _____

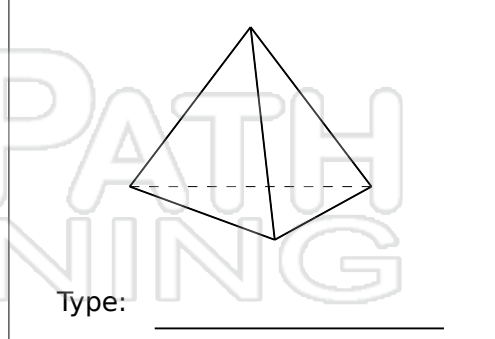
Identify Each Solid Figure.



Type: _____



Type: _____



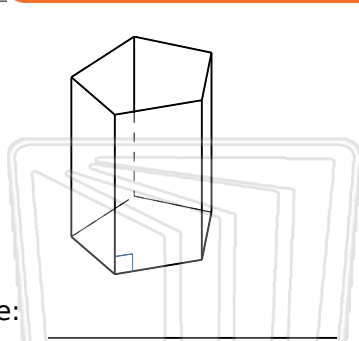
Type: _____

Type: _____

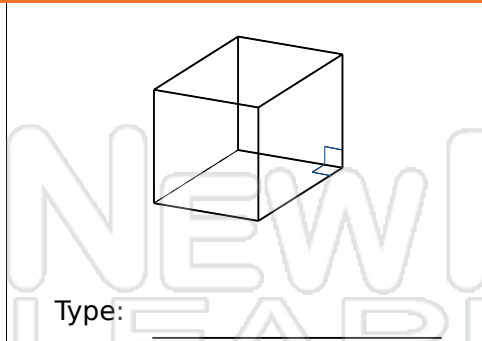
PREVIEW

Please [Sign In](#) or [Sign Up](#) to download the printable version of this worksheet

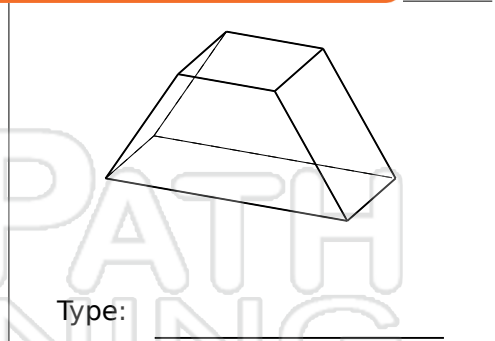
Type: _____



Type: _____



Type: _____



Type: _____

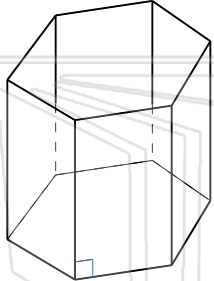


Identify Solid Figures - Answer Key

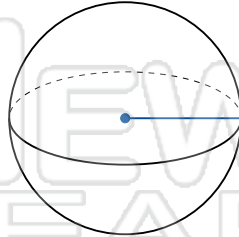
Math

Name _____ Class _____ Date _____

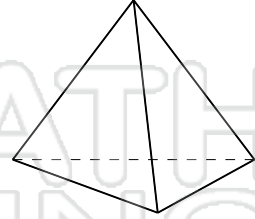
Identify Each Solid Figure.



Type: Hexagonal Prism



Type: Sphere



Type: Triangular Pyramid

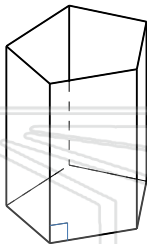


Type

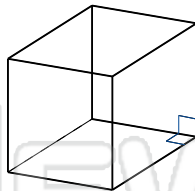
PREVIEW

Please [Sign In](#) or [Sign Up](#) to download the printable version of this worksheet

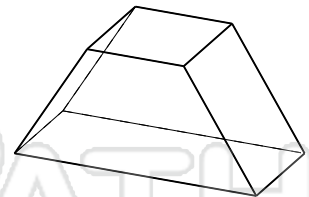
Type



Type: Pentagonal Prism



Type: Square Prism (Cube)



Type: Trapezoidal Prism