

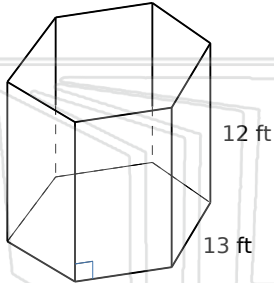


Surface Area of Solid Figures

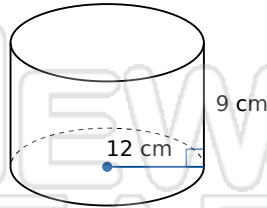
Math

Name _____ Class _____ Date _____

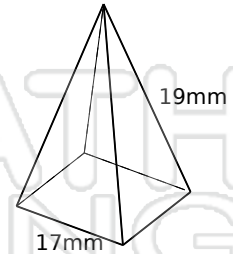
Find the surface area of each figure.
Round answers to the nearest hundredth, if necessary.



Surface Area: _____
2in



Surface Area: _____

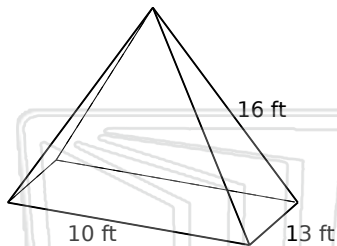


Surface Area: _____

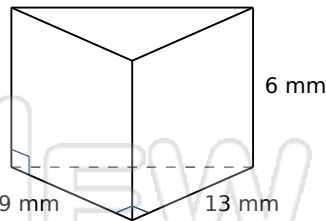


PREVIEW

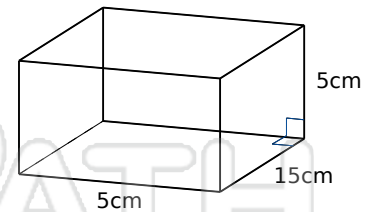
Please [Sign In](#) or [Sign Up](#) to download the printable version of this worksheet



Surface Area: _____



Surface Area: _____



Surface Area: _____

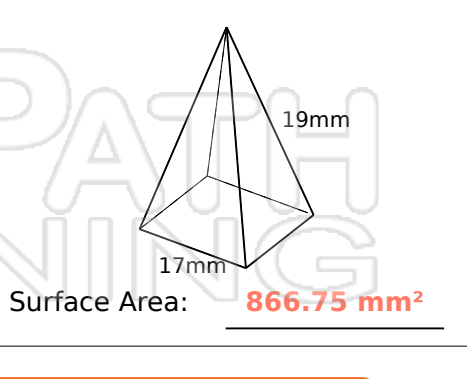
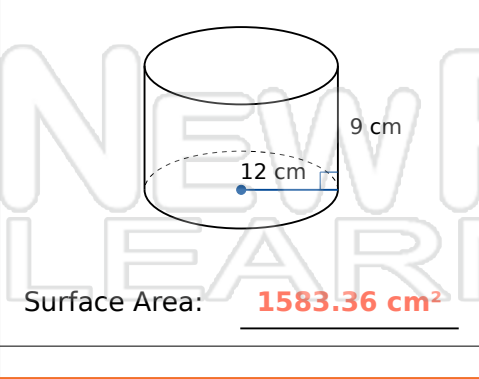
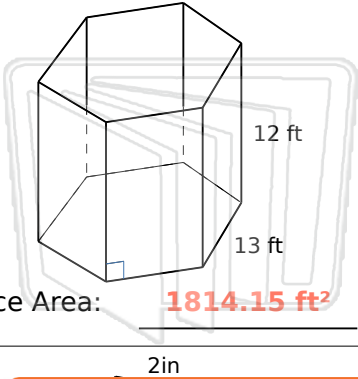


Surface Area of Solid Figures - Answer Key



Name _____ Class _____ Date _____

Find the surface area of each figure.
Round answers to the nearest hundredth, if necessary.



Surface _____

Surface _____

Surface _____

