

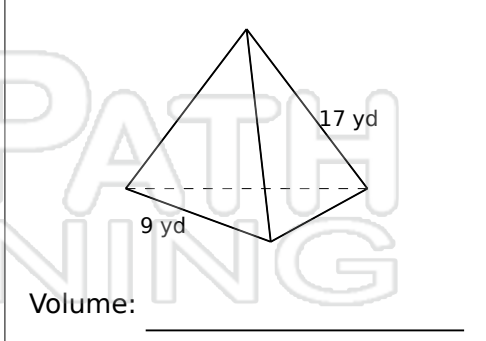
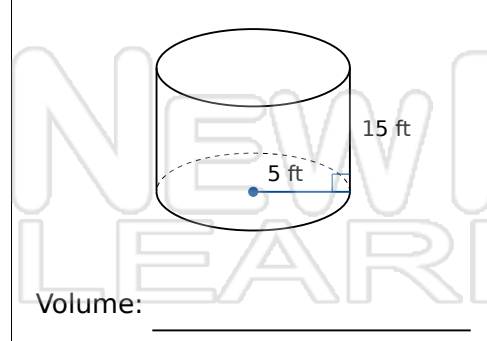
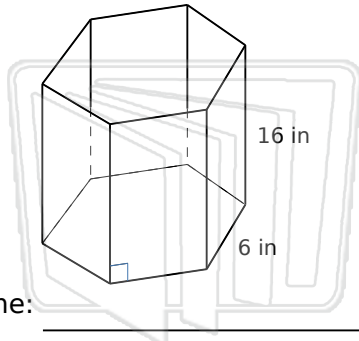


# Volume of Solid Figures

Math

Name \_\_\_\_\_ Class \_\_\_\_\_ Date \_\_\_\_\_

Find the volume of each figure.  
Round answers to the nearest hundredth, if necessary.



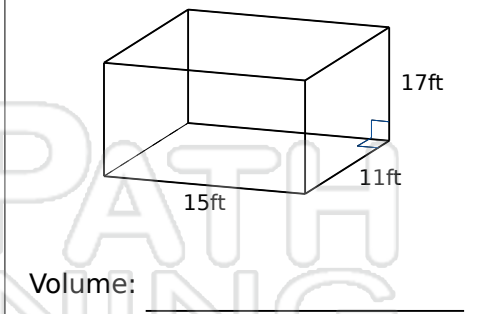
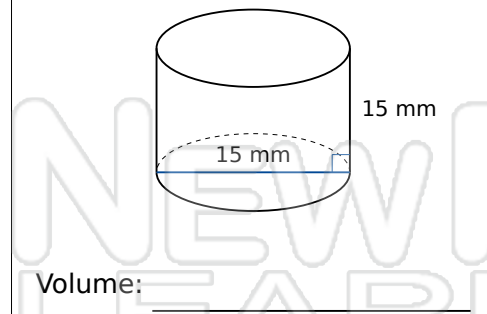
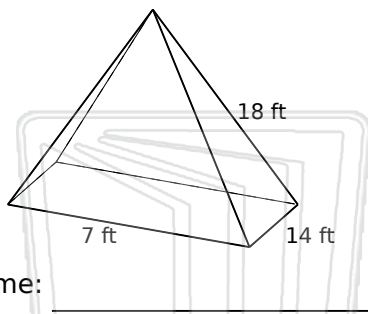
Volume \_\_\_\_\_

Volume \_\_\_\_\_

**PREVIEW**

Please [Sign In](#) or [Sign Up](#) to download the printable version of this worksheet

Volume \_\_\_\_\_



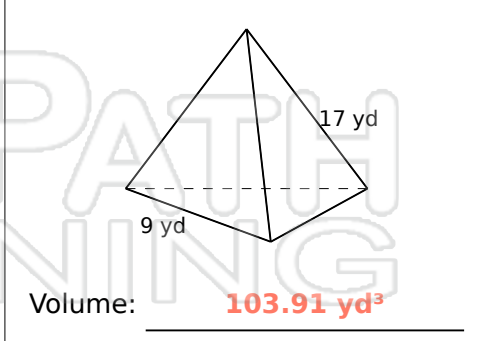
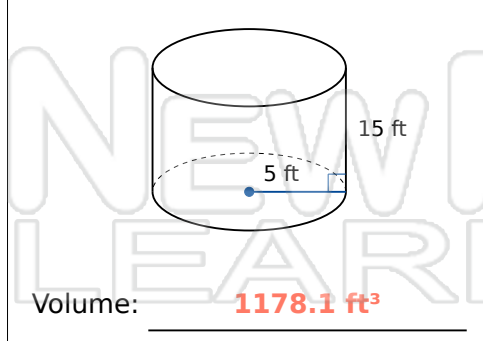
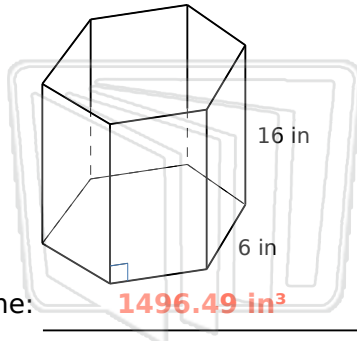


# Volume of Solid Figures - Answer Key

Math

Name \_\_\_\_\_ Class \_\_\_\_\_ Date \_\_\_\_\_

Find the volume of each figure.  
Round answers to the nearest hundredth, if necessary.



Volume \_\_\_\_\_

**PREVIEW**

Please [Sign In](#) or [Sign Up](#) to download the printable version of this worksheet

Volume \_\_\_\_\_

