

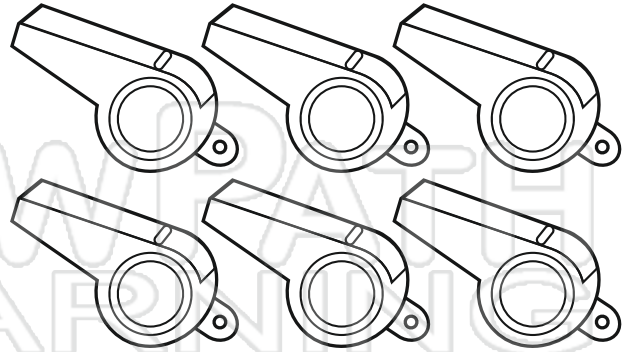
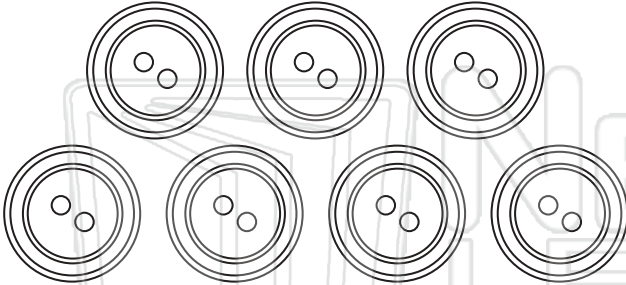


Name _____

Date _____

Seven

Circle pictures that show **seven**.



PREVIEW

Please [Sign In](#) or [Sign Up](#) to download the printable version of this worksheet

