

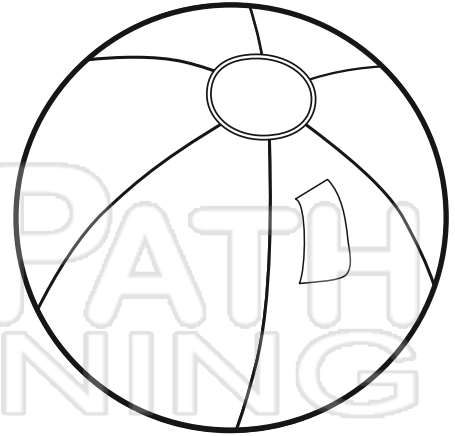
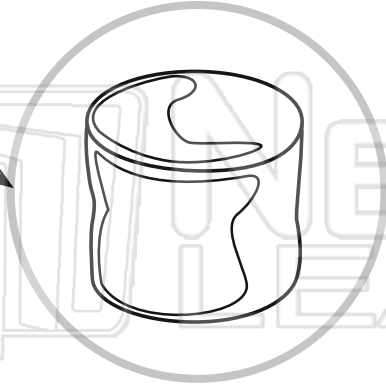


Name _____

Date _____

cylinder

Find the cylinders.



PREVIEW

Please [Sign In](#) or [Sign Up](#) to download the printable version of this worksheet

