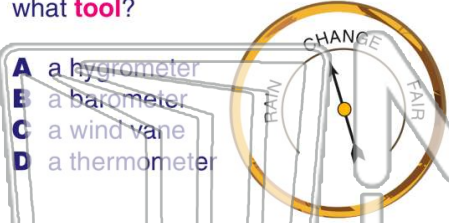




Name _____ Class _____ Date _____


1 Air pressure is measured with what **tool**?

A a hygrometer
B a barometer
C a wind vane
D a thermometer



2 Meteorologists test the _____ of our atmosphere with a **barometer** so they can understand weather patterns and predict the weather.

A color
B air pressure
C sounds
D feel



3 Meteorologists use tools to predict the weather, such as **wind vanes** to help measure the direction of the wind and

4 What does a meteorologist use to measure the amount of **water vapor** in the air, which tells them how high

5




PREVIEW

Please [Sign In](#) or [Sign Up](#) to download the printable version of this worksheet

7 show what the weather will be like in large areas of the world.

A flowers
B a pen
C weather maps
D ancient books



_____ to let you know if you have cloudy or clear skies coming your way.

A park locations
B air pressure movements
C every city name
D street names

9 **Weather satellites** in space take pictures from high above the earth and send the pictures back to computers so that scientists and meteorologists can _____.

A see all the planets
B count the stars
C predict the upcoming weather in all areas



10 The weather can affect the **pollution** in many areas. A lot of pollution comes from _____.

A car exhaust
B dogs
C lakes
D wetlands

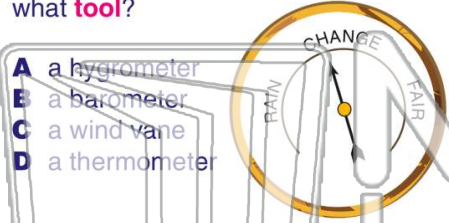




Name _____ Class _____ Date _____


1 Air pressure is measured with what **tool**?

A a hygrometer
B a barometer
C a wind vane
D a thermometer



2 Meteorologists test the _____ of our atmosphere with a **barometer** so they can understand weather patterns and predict the weather.

A color
B air pressure
C sounds
D feel



3 Meteorologists use tools to predict the weather, such as **wind vanes** to help measure the direction of the wind and

4 What does a meteorologist use to measure the amount of **water vapor** in the air, which tells them how high

5




PREVIEW

Please [Sign In](#) or [Sign Up](#) to download the printable version of this worksheet

7 show what the weather will be like in large areas of the world.

A flowers
B a pen
C weather maps
D ancient books




_____ to let you know if you have cloudy or clear skies coming your way.

A park locations
B air pressure movements
C every city name
D street names

9 **Weather satellites** in space take pictures from high above the earth and send the pictures back to computers so that scientists and meteorologists can _____.

A see all the planets
B count the stars
C predict the upcoming weather in all areas



10 The weather can affect the **pollution** in many areas. A lot of pollution comes from _____.

A car exhaust
B dogs
C lakes
D wetlands

