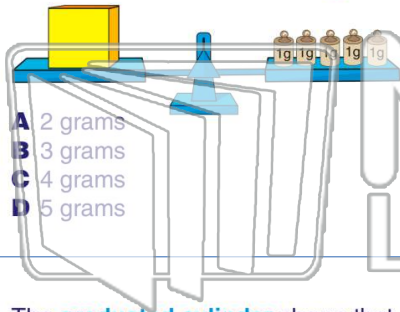




Name _____ Class _____ Date _____

1 How much does the block **weigh**?



- A 2 grams
- B 3 grams
- C 4 grams
- D 5 grams

2 The shoelace is _____ centimeters in **length**.



- A 8
- B 7
- C 9
- D 10

3 The **graduated cylinder** shows that there is _____ of water inside of it.



4 Use the chart to find a pattern. Which plant grew to be **8 cm** on day 24?

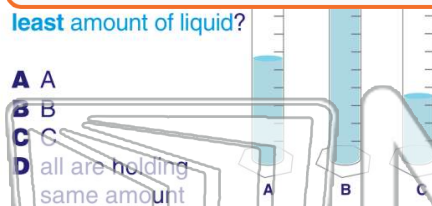
Length of Plants



PREVIEW

Please [Sign In](#) or [Sign Up](#) to download the printable version of this worksheet

7 _____
least amount of liquid?



- A A
- B B
- C C
- D all are holding same amount

She predicts that the plants will **grow without sunlight**.

Is it possible?



- A yes
- B no

9 The results of Jake's experiment showed that mealworms preferred a wet environment over a dry environment. **What would be the cause if the effect was that all the mealworms gathered on the wet towel in the end?**

- A Mealworms prefer wet environments.
- B Mealworms prefer dry environments.
- C Mealworms like both environments.
- D Mealworms do not like towels.

10 How many **grams of salt** are needed for this investigation?

1. Pour 100 mL of water into bowl.
2. Add 25 g of salt.
3. Stir salt and water for 2 minutes with spoon.
4. Record observations in your notebook.

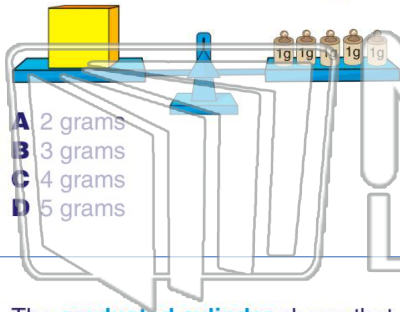


- A 100 mL
- B 25 g
- C 2 g
- D 125 mL



Name _____ Class _____ Date _____

1 How much does the block **weigh**?



- A 2 grams
- B 3 grams
- C 4 grams
- D 5 grams

2 The shoelace is _____ centimeters in **length**.



- A 8
- B 7
- C 9
- D 10

3 The **graduated cylinder** shows that there is _____ of water inside of it.



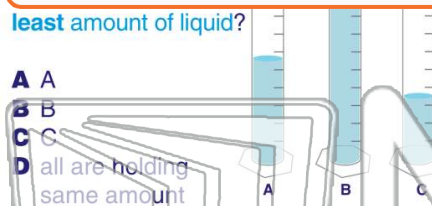
4 Use the chart to find a pattern. Which plant grew to be **8 cm** on day 24?

Length of Plants

PREVIEW

Please [Sign In](#) or [Sign Up](#) to download the printable version of this worksheet

7 _____
least amount of liquid?



- A A
- B B
- C C
- D all are holding same amount

She predicts that the plants will **grow without sunlight**.

Is it possible?



- A yes
- B no

9 The results of Jake's experiment showed that mealworms preferred a wet environment over a dry environment. **What would be the cause if the effect was that all the mealworms gathered on the wet towel in the end?**

- A Mealworms prefer wet environments.
- B Mealworms prefer dry environments.
- C Mealworms like both environments.
- D Mealworms do not like towels.

10 How many **grams of salt** are needed for this investigation?

1. Pour 100 mL of water into bowl.
2. Add 25 g of salt.
3. Stir salt and water for 2 minutes with spoon.
4. Record observations in your notebook.



- A 100 mL
- B 25 g
- C 2 g
- D 125 mL