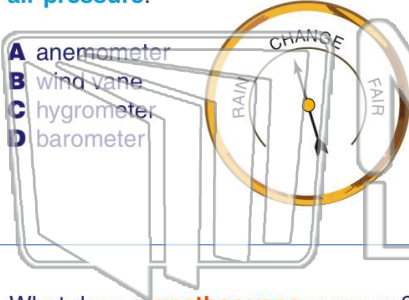




Name _____ Class _____ Date _____

1 A(n) _____ is used to measure **air pressure**.

- A anemometer
- B wind vane
- C hygrometer
- D barometer



2 Why would a meteorologist use an **anemometer**?

- A to measure the outside temperature
- B to measure rainfall amounts
- C to measure the speed of the wind
- D to measure the humidity level



3 What does a **weather vane** measure?

- A wind direction



4 If you wanted to measure the **amount of rain** that falls in one week, you would use a(n) _____ to do so.

5



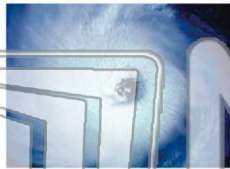
PREVIEW

Please [Sign In](#) or [Sign Up](#) to download the printable version of this worksheet

7

reach **over 74 miles/119 kilometers per hour**.

- A tornado
- B hurricane
- C tsunami
- D windstorm



of air that _____, destroying anything in its path. It is smaller but has stronger winds than a hurricane.

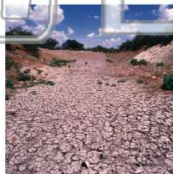
- A never touches the ground
- B stays in the clouds
- C touches the ground
- D makes clouds



9

What is a **drought**?

- A a period of extremely cold weather
- B a long period of wet weather
- C a long period of dry weather
- D a long period of high humidity



10

A _____ is a **large overflowing of water** onto land that is normally dry.

- A waterfall
- B thunderstorm
- C flood
- D tornado

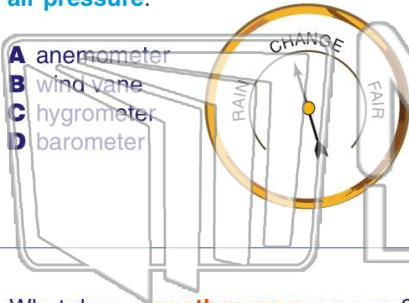




Name _____ Class _____ Date _____

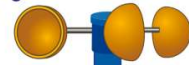
1 A(n) _____ is used to measure **air pressure**.

- A anemometer
- B wind vane
- C hygrometer
- D barometer



2 Why would a meteorologist use an **anemometer**?

- A to measure the outside temperature
- B to measure rainfall amounts
- C to measure the speed of the wind
- D to measure the humidity level



3 What does a **weather vane** measure?

- A wind direction



4 If you wanted to measure the **amount of rain** that falls in one week, you would use a(n) _____ to do so.

5



PREVIEW

Please [Sign In](#) or [Sign Up](#) to download the printable version of this worksheet

7

reach **over 74 miles/119 kilometers per hour**.

- A tornado
- B hurricane
- C tsunami
- D windstorm



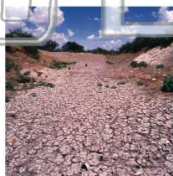
of air that _____, destroying anything in its path. It is smaller but has stronger winds than a hurricane.

- A never touches the ground
- B stays in the clouds
- C touches the ground
- D makes clouds



9 What is a **drought**?

- A a period of extremely cold weather
- B a long period of wet weather
- C a long period of dry weather
- D a long period of high humidity



10 A _____ is a **large overflowing of water** onto land that is normally dry.

- A waterfall
- B thunderstorm
- C flood
- D tornado

