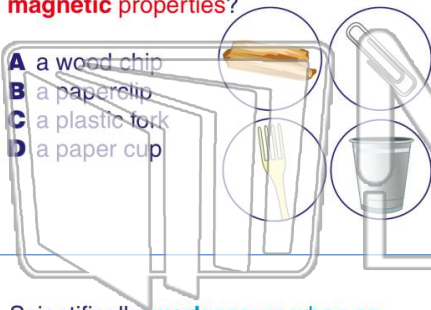




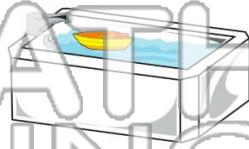
Name _____ Class _____ Date _____

1 Which of the following objects can have **magnetic properties**?



- A a wood chip
- B a paperclip
- C a plastic fork
- D a paper cup

2 Peter was testing a **plastic boat**, a **ball of clay**, and a **wooden ruler** to see which items could **float** and which could **not**. What **property of matter** was Peter testing?



- A magnetism
- B buoyancy
- C mass
- D volume

3 Scientifically, **work occurs when an object is moved**. Which of the following is the **ability** to do work?

4 **Energy in motion**, or energy that is happening now, is _____.



PREVIEW

Please [Sign In](#) or [Sign Up](#) to download the printable version of this worksheet

7



- A a book on a shelf
- B a fly sitting on a leaf
- C a boy riding a bike
- D a rubber band pulled back

_____ is **potential energy**.

- A Kinetic energy
- B Sound energy
- C Potential energy
- D Heat energy



9 Which of the following is an example of **potential energy**?

- A a rubber band being pulled back
- B a person kicking a ball
- C a person running on grass
- D a person clapping hands



10 _____ is the **movement or flow of charged particles** that are called electrons.

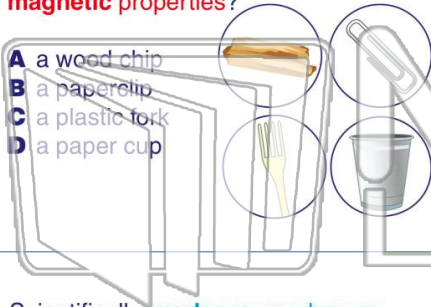
- A Heat energy
- B Electrical energy
- C Sound energy
- D Mechanical energy





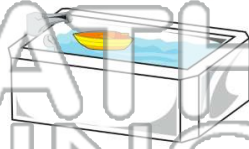
Name _____ Class _____ Date _____

1 Which of the following objects can have **magnetic properties**?



- A a wood chip
- B a paperclip
- C a plastic fork
- D a paper cup

2 Peter was testing a **plastic boat**, a **ball of clay**, and a **wooden ruler** to see which items could **float** and which could **not**. What **property of matter** was Peter testing?



- A magnetism
- B buoyancy
- C mass
- D volume

3 Scientifically, **work** occurs when an object is **moved**. Which of the following is the **ability** to do work?

4 **Energy in motion**, or energy that is happening now, is _____.



PREVIEW

Please [Sign In](#) or [Sign Up](#) to download the printable version of this worksheet

7 A a book on a shelf
B a fly sitting on a leaf
C a boy riding a bike
D a rubber band pulled back



to happen and is stored energy.

- A Kinetic energy
- B Sound energy
- C Potential energy
- D Heat energy

9 Which of the following is an example of **potential energy**?

- A a rubber band being pulled back
- B a person kicking a ball
- C a person running on grass
- D a person clapping hands



10 _____ is the **movement or flow of charged particles** that are called electrons.

- A Heat energy
- B Electrical energy
- C Sound energy
- D Mechanical energy

