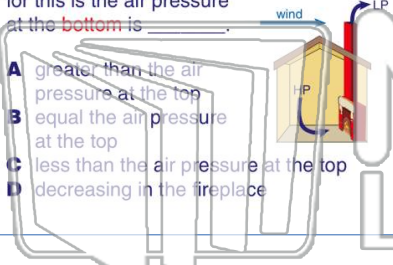




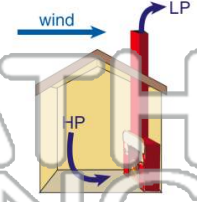
Name _____ Class _____ Date _____

1 Smoke moves **up** a chimney and **away** from the house. In addition to heat rising, the explanation for this is the air pressure at the **bottom** is _____.



- A greater than the air pressure at the top
- B equal the air pressure at the top
- C less than the air pressure at the top
- D decreasing in the fireplace

2 If there was **no wind** above the chimney, smoke would probably _____.



- A go up faster
- B not go up as well
- C evaporate
- D disappear

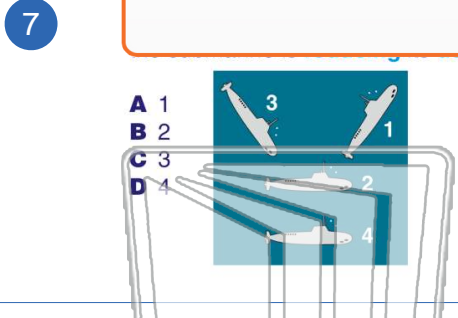
3 The reasoning that explains **smoke going up a chimney** is the same for _____.

4 When a plane is taking off, **where** on the plane is air exerting the **least** amount of **pressure**?



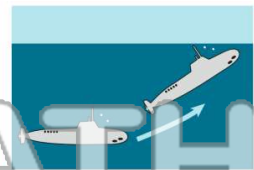
PREVIEW

Please [Sign In](#) or [Sign Up](#) to download the printable version of this worksheet



- A 1
- B 2
- C 3
- D 4

- A air with water
- B water with air
- C water with oil
- D air with vapor



9 The brakes on a car work by **hydraulics**. A car's **brakes** may **fail** to work if there is _____.



- A an increase in air pressure
- B a decrease in humidity
- C a loss of brake fluid
- D engine oil that needs to be changed

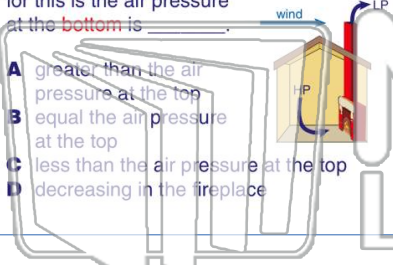
10 Strong winds during a storm sometimes cause **roofs** on houses to get **blown off**. What could be the **reason** for this?

- A Speed of the air above the roof increases air pressure on the roof.
- B The walls of the house get weaker.
- C The basement of the house gets moved.
- D Speed of the air above the roof decreases the air pressure on the roof.



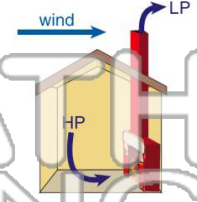
Name _____ Class _____ Date _____

1 Smoke moves **up** a chimney and **away** from the house. In addition to heat rising, the explanation for this is the air pressure at the **bottom** is _____.



- A greater than the air pressure at the top
- B equal the air pressure at the top
- C less than the air pressure at the top
- D decreasing in the fireplace

2 If there was **no wind** above the chimney, smoke would probably _____.



- A go up faster
- B not go up as well
- C evaporate
- D disappear

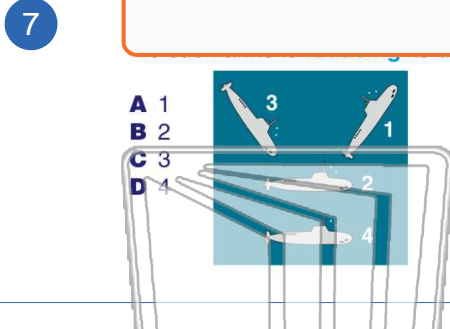
3 The reasoning that explains **smoke going up a chimney** is the same for _____.

4 When a plane is taking off, **where** on the plane is air exerting the **least** amount of **pressure**?



PREVIEW

Please [Sign In](#) or [Sign Up](#) to download the printable version of this worksheet



- A 1
- B 2
- C 3
- D 4

- A air with water
- B water with air
- C water with oil
- D air with vapor

9 The brakes on a car work by **hydraulics**. A car's **brakes** may **fail** to work if there is _____.



- A an increase in air pressure
- B a decrease in humidity
- C a loss of brake fluid
- D engine oil that needs to be changed

10 Strong winds during a storm sometimes cause **roofs** on houses to get **blown off**. What could be the **reason** for this?

- A Speed of the air above the roof increases air pressure on the roof.
- B The walls of the house get weaker.
- C The basement of the house gets moved.
- D Speed of the air above the roof decreases the air pressure on the roof.