

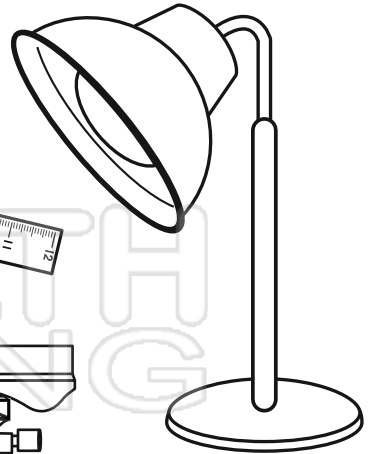
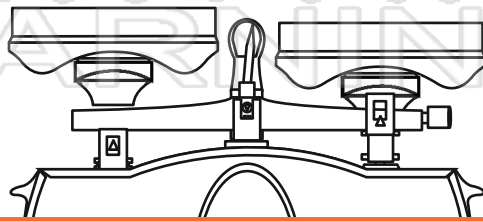
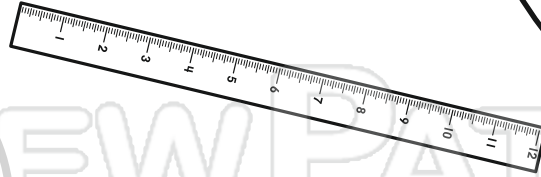
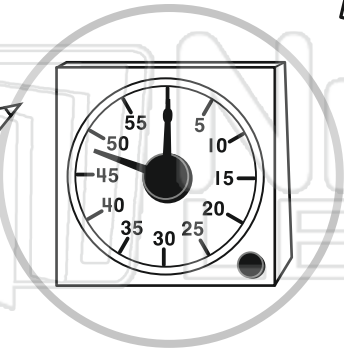


Name \_\_\_\_\_

Date \_\_\_\_\_

## Laboratory Tools

Circle the tools that **measure**.



Circle



### PREVIEW

Please [Sign In](#) or [Sign Up](#) to download the printable version of this worksheet

Circle the tools that **heat**.

