

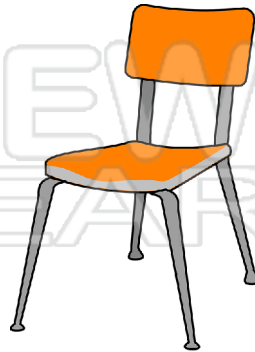
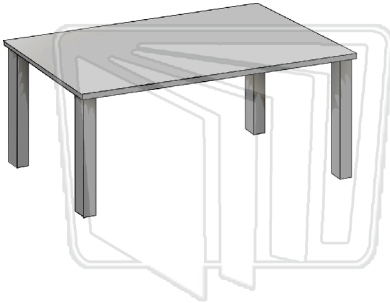


Name _____

Date _____

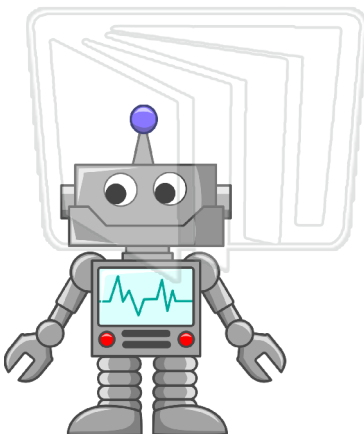
What Do Living Things Do?

Circle the things that take in food, grow or might have a baby.



PREVIEW

Please [Sign In](#) or [Sign Up](#) to download the printable version of this worksheet



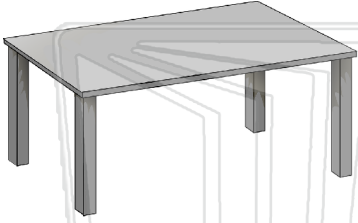


Name _____

Date _____

answer key

Circle the things that take in food, grow or might have a baby.



PREVIEW

Please [Sign In](#) or [Sign Up](#) to download the printable version of this worksheet

