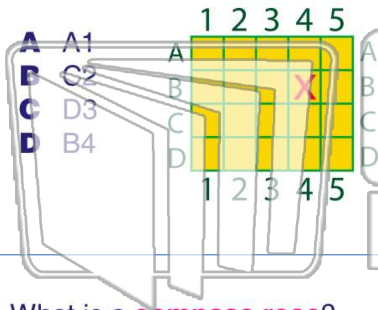




Name _____ Class _____ Date _____

1 In what **box on the grid** is the **X**?



2 The **small map** on this map is called the _____ map.

- A lovely
- B lucky
- C locator
- D link



3 What is a **compass rose**?

- A a flower to give

4 **North, south, east, and west** are the _____ directions on a **compass rose**.

5



PREVIEW

Please [Sign In](#) or [Sign Up](#) to download the printable version of this worksheet

7

stands for _____.

- A No
- B Not
- C Nice
- D North



stands for _____.

- A Empty
- B East
- C Easter
- D Easy



9

On a **compass**, the **S** stands for _____.

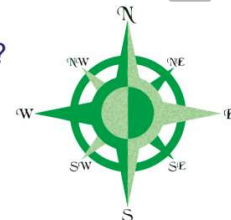
- A Simple
- B Sunday
- C Symbol
- D South



10

What would the letters **SW** stand for on a **compass rose**?

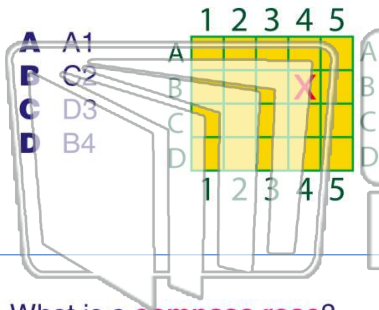
- A so wet
- B so what
- C so wide
- D southwest





Name _____ Class _____ Date _____

1 In what **box on the grid** is the **X**?



2 The **small map** on this map is called the _____ map.

- A lovely
- B lucky
- C locator
- D link



3 What is a **compass rose**?

- A a flower to give

4 **North, south, east, and west** are the _____ directions on a **compass rose**.



PREVIEW

Please [Sign In](#) or [Sign Up](#) to download the printable version of this worksheet

7 _____ stands for _____.

- A No
- B Not
- C Nice
- D North



_____ stands for _____.

- A Empty
- B East
- C Easter
- D Easy



9 On a **compass**, the **S** stands for _____.

- A Simple
- B Sunday
- C Symbol
- D South



10 What would the letters **SW** stand for on a **compass rose**?

- A so wet
- B so what
- C so wide
- D southwest

